

NEW!
See reverse

Fixture Box Kit for use on Suspended Ceilings

For fixtures up to 25 lbs. • Plated Steel Construction



#FS420SCL



Option: Add screws to hold ends securely on grid. Use screws where required by local code. (Screws not included).



One-piece assembly ships ready to install. Assembly is tested and Listed to support fixtures up to 25 lbs.

Arlington's new all-metal fixture box is a one-piece assembly, that ships ready to install on a 24" suspended ceiling grid – No assembly required.

It's tested and rated to support exit lights, security cameras, smoke and carbon monoxide detectors – and light fixtures up to 25 lbs.

No more guesswork.

Installers who *previously* attached a metal box to a bracket in the field, then added a chain or wire for support, now have an assembly that is **fully tested** to hold up to 25 lbs!

FS420SCL is UL/CSA Listed as a complete unit: box, bracket and drop wire.

Easy and secure mounting to ceiling grid

Convenient

Box not perfectly positioned? Loosen the appropriate screws, slide the box along the bracket, then retighten the screws.

- Costs less than field-assembled components (box, bracket, wire)
- Saves installation time
- Usable for Environmental Air Handling spaces



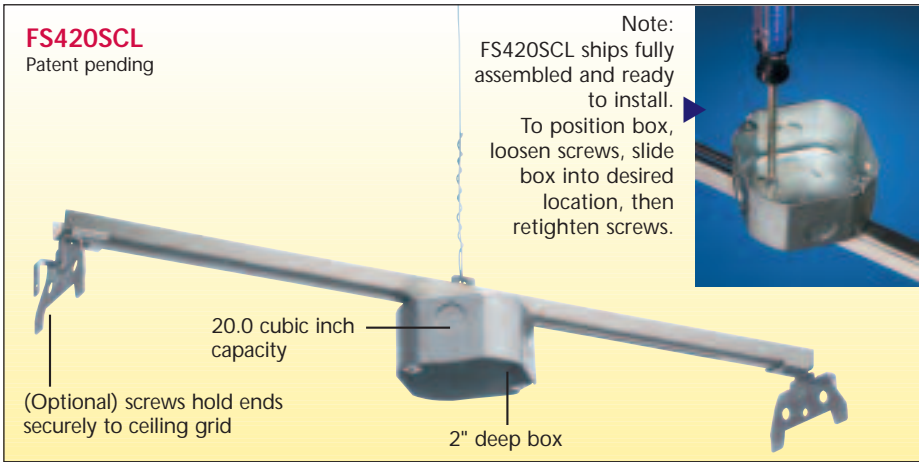
1 Stauffer Industrial Park
Scranton, PA 18517
800/233.4717
Fax 570/562.0646
www.aifittings.com

Catalog Number	UPC/DEI/NAED Mfg. #018997	Description Steel fixture box	Unit Pkg	Std Pkg
FS420SCL	12526	20.0 cu. inch, 2" deep box kit for suspended ceilings for fixtures only – up to 25 lbs.	1	10

One-piece, rated unit includes box, bracket and drop wire

Fixture Box Kit for use on Suspended Ceilings

For fixtures up to 25 lbs. • Plated Steel Construction



1 Cut a 4-1/16" diameter hole in the ceiling tile.



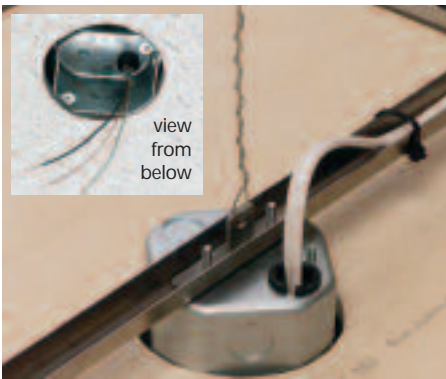
2 Place box over hole.



3 Position ends of support bar over the ceiling grid (tees).



4 Option: Add screws to hold ends securely on grid. Use screws where required by local code. (Screws not included).



5 Cable pulled through installed NM cable connector (supplied). Use alternate raceway systems where required by code.



6 Use FS420SCL to install fixtures, security cameras, smoke detectors, etc.

Distributed by



1 Stauffer Industrial Park
Scranton, PA 18517
800/233.4717
Fax 570/562.0646
www.aifittings.com

FS420SCL 1007/50M