

SNAP-TITE® Connectors for 1/2" Flex

Zinc die-cast. Steel spring SNAP-TITE® clip. For use in new or old electrical boxes. Accommodates 1/2" reduced wall flexible metal conduit (RWFMC).

CATALOG NUMBER	UPC/DCI/NAED MFG #018997	DESCRIPTION	TRADE SIZE	KO SIZE	UNIT PKG	STD PKG	DIM A	DIM B	DIM C	DIM D
GF5075RAST	22092	Insulated throat (NO ground lug)	1/2	3/4	25	25	1.513	.635	1.062	1.200
GF5075RASTG	22094	Insulated throat WITH ground lug	1/2	3/4	25	25	1.925	.635	1.062	1.200



PATENT PENDING
MADE IN USA.

FEATURES AND BENEFITS

- Super secure installation, no pullout!
- Fully assembled one piece design with insulated throat, with or without ground lug

90° clip provides extra room for cable to round curve inside the connector. Zinc die-cast. For AC, MC, HCF, MC Continuous corrugated aluminum cable, MCI-A cables (steel and aluminum), MC-PCS cable, AC90 and ACG90.

INSTALLATION INSTRUCTIONS



1 Pull flex conduit through 3/4" knockout in installed box.



2 Screw connector into conduit. Snap assembly into box.



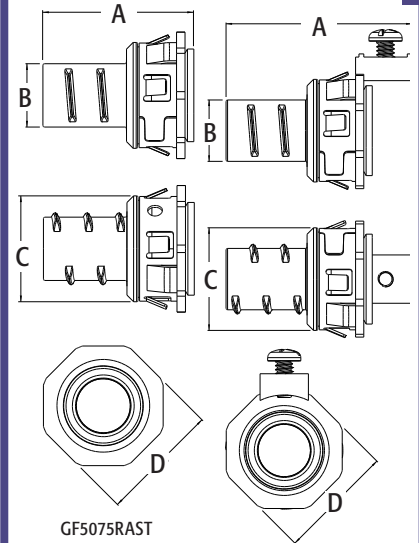
Finished installation.



GF5075RAST



GF5075RASTG



GF5075RAST