



# Arlington Industries, Inc.

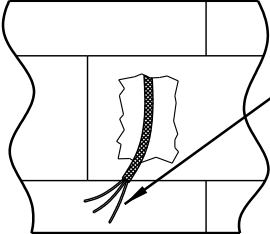
1 Stauffer Ind. Park - Scranton, Pa. 18517  
800-233-4717 570-562-0646  
www.aifittings.com - E-MAIL : sales@aifittings.com  
Manufacturers of Quality Electrical Products

**WARNING: TURN OFF POWER AT  
MAIN PANEL BOX**

## Metal Box

### Installation Instructions For : IN BOX™ DSBVM1 - STUCCO / MASONRY STYLE

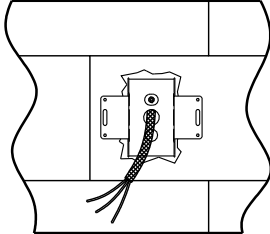
**Step # 1**



Lead Wires  
9" Long

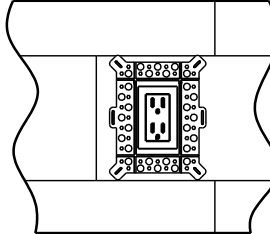
1. Cut 3-3/8" X 5-5/8" Hole in Block. Pull Wiring.

**Step # 2**



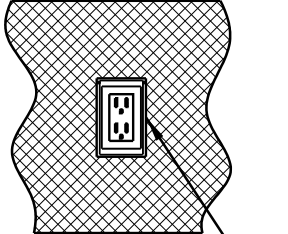
2. Fasten Steel DSBVM1 Box to Substrate with Masonry Fasteners. Pull Wiring thru Connector in Steel Box. (Not Provided)

**Step # 3**



3. Fasten Non-Metallic Cover to Substrate. Wire Device \*

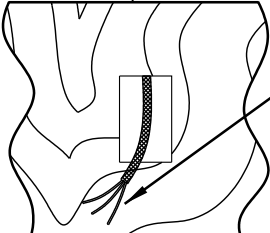
**Step # 4**



4. Mud Stucco Completely Around Flange Area. Caulk As Needed

### Installation Instructions For : IN BOX™ DSBVS1 - VINYL SIDING VERSION

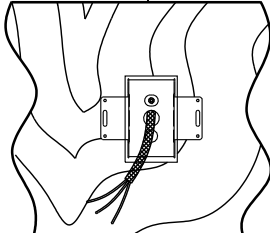
**Step # 1**



Lead Wires  
9" Long

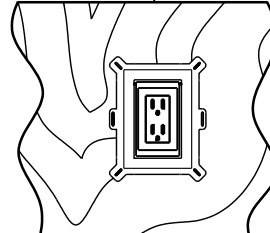
1. Cut 3-3/8" X 5-5/8" Hole in Substrate. Pull Wiring.

**Step # 2**



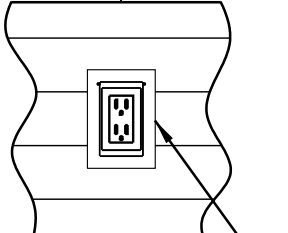
2. Fasten Steel DSBVS1 Box to Substrate. Pull Wiring thru Connector in Steel Box. (Not Provided)

**Step # 3**



3. Fasten Non-Metallic Cover to Substrate. Wire Device \*

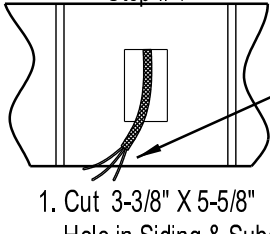
**Step # 4**



4. Install Siding. Caulk As Needed

### Installation Instructions For : IN BOX™ DSBVR1 (For : RETRO FIT FLAT SIDING / T111)

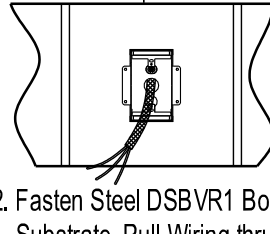
**Step # 1**



Lead Wires  
9" Long

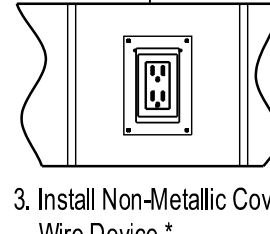
1. Cut 3-3/8" X 5-5/8" Hole in Siding & Substrate. Pull Wiring.

**Step # 2**



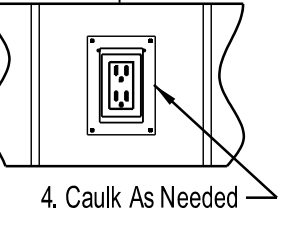
2. Fasten Steel DSBVR1 Box to Substrate. Pull Wiring thru Connector in Steel Box. (Not Provided)

**Step # 3**



3. Install Non-Metallic Cover Wire Device \*

**Step # 4**



4. Caulk As Needed



\* Note: Connect the Wires and Install the Device according to manufacturer's instructions and Local and National Electrical Codes. If you have any questions or if parts are missing, Please call our Customer Service Department at 1-800-233-4717. Do not call or return this product to your local store or distributor.





# Arlington Industries, Inc.

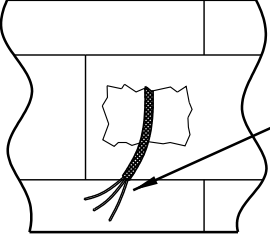
1 Stauffer Ind. Park - Scranton, Pa. 18517  
800-233-4717 570-562-0646  
www.aifittings.com - E-MAIL : sales@aifittings.com  
Manufacturers of Quality Electrical Products

**WARNING: TURN OFF POWER AT MAIN PANEL BOX**

## Metal Box

### Installation Instructions For : IN BOX™ DSBHM1 - STUCCO / MASONRY STYLE

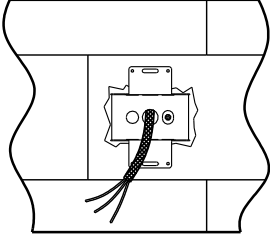
**Step # 1**



Lead Wires  
9" Long

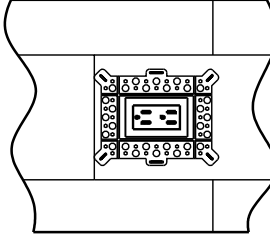
1. Cut 3-3/8" X 5-5/8" Hole in Block. Pull Wiring.

**Step # 2**



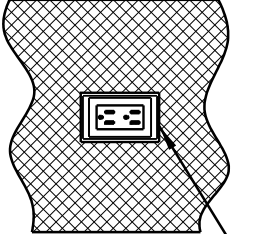
2. Fasten Steel DSBHM1 Box to Block with Masonry Fasteners. Pull Wiring thru Connector in Steel Box. (Not Provided)

**Step # 3**



3. Fasten Non-Metallic Cover to Substrate. Wire Device \*

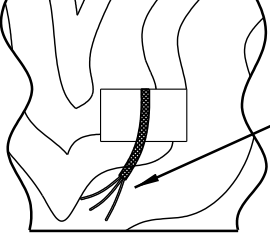
**Step # 4**



4. Mud Stucco Completely Around Flange Area. Caulk As Needed

### Installation Instructions For : IN BOX™ DSBHS1 - VINYL SIDING VERSION

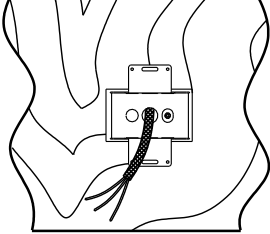
**Step # 1**



Lead Wires  
9" Long

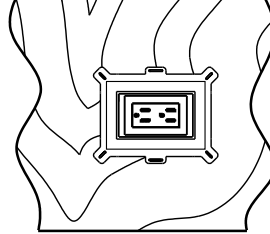
1. Cut 3-3/8" X 5-5/8" Hole in Substrate. Pull Wiring.

**Step # 2**



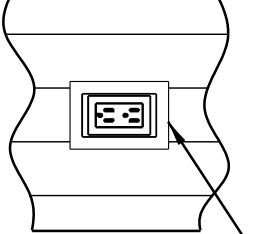
2. Fasten Steel DSBHS1 Box to Substrate. Pull Wiring thru Connector in Steel Box. (Not Provided)

**Step # 3**



3. Fasten Non-Metallic Cover to Substrate. Wire Device \*

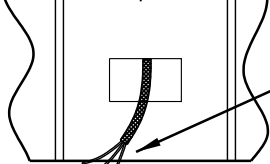
**Step # 4**



4. Install Siding. Caulk As Needed

### Installation Instructions For : IN BOX™ DSBHR1 (For : RETRO FIT FLAT SIDING / T111)

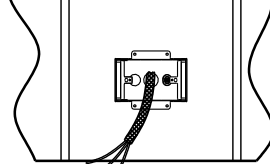
**Step # 1**



Lead Wires  
9" Long

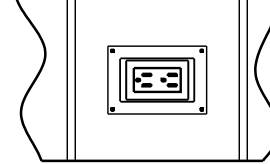
1. Cut 3-3/8" X 5-5/8" Hole in Siding & Substrate. Pull Wiring.

**Step # 2**



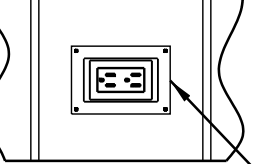
2. Fasten Steel DSBHR1 Box to Substrate. Pull Wiring thru Connector in Steel Box. (Not Provided)

**Step # 3**



3. Install Non-Metallic Box with Screws Provided. Wire Device \*

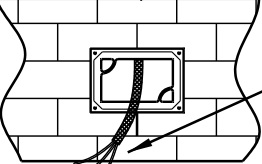
**Step # 4**



4. Caulk As Needed

### Installation Instructions For : IN BOX™ DSHB1 (For : NEW BRICK)

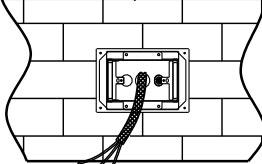
**Step # 1**



Lead Wires  
9" Long

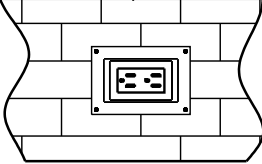
1. Mortar Sleeve Into Wall. Pull Wiring.

**Step # 2**



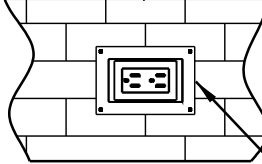
2. Fasten Steel Box to Sleeve with Screws Provided.

**Step # 3**



3. Install Non-Metallic Cover Into Steel Box and Fasten with Screws Provided. Wire Device \*

**Step # 4**



4. Caulk As Needed



\* Note: Connect the Wires and Install the Device according to manufacturer's instructions and Local and National Electrical Codes.

If you have any questions or if parts are missing, Please call our Customer Service Department at 1-800-233-4717. Do not call or return this product to your local store or distributor.

