



Arlington Industries, Inc.

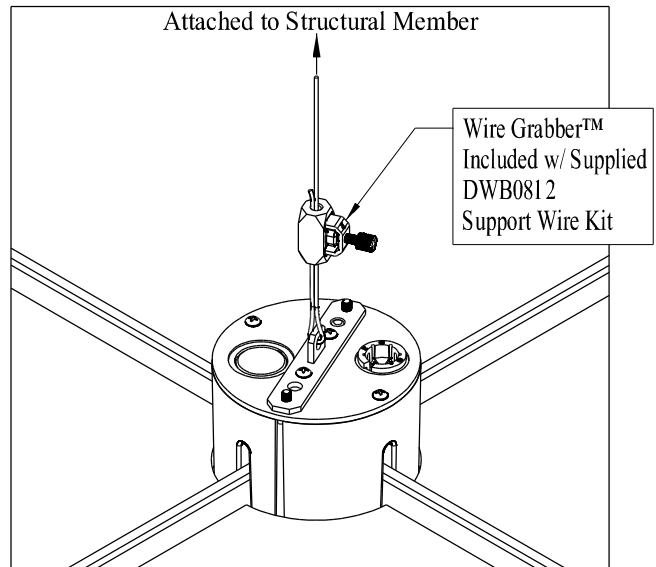
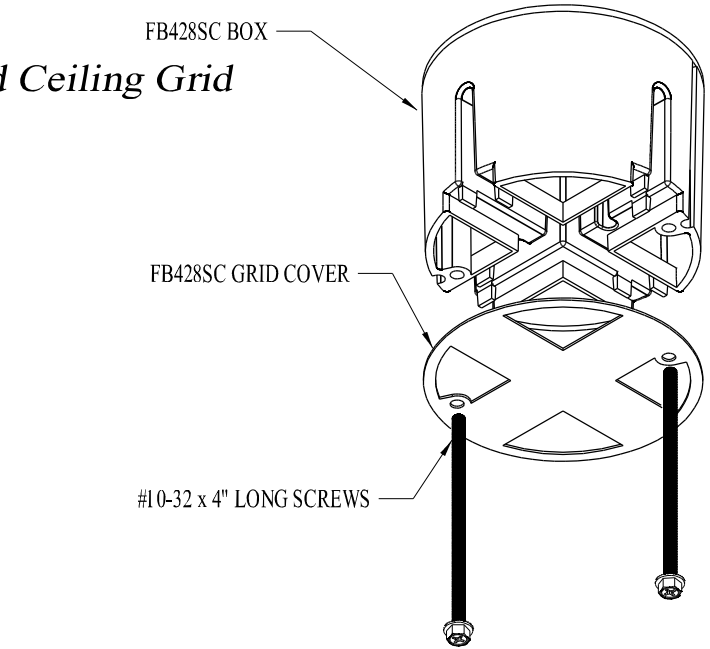
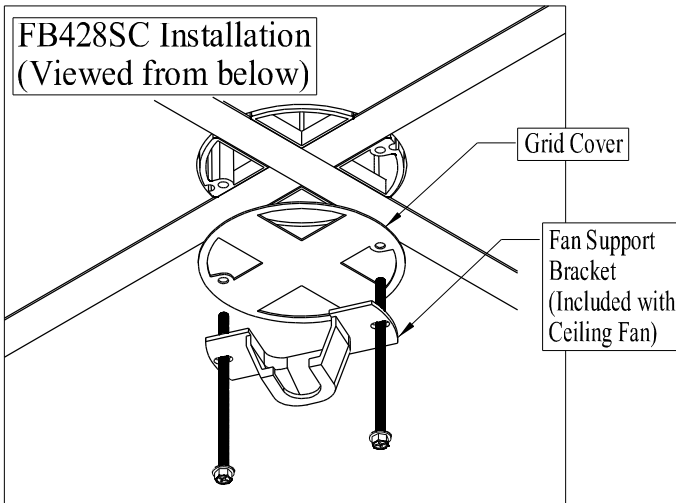
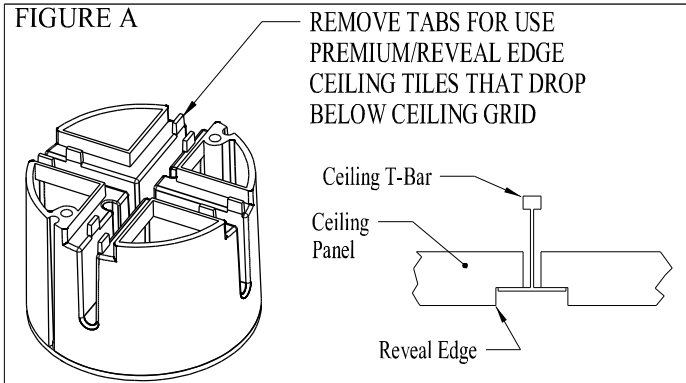
1 Stauffer Ind. Park - Scranton, Pa. 18517
 800-233-4717 Fax: 570-562-0646
 www.aifittings.com - E-MAIL: sales@aifittings.com
 Manufacturers of Quality Electrical Products

All wiring must be in accordance with National (NEC/CEC), State and Local Electrical Codes.



FB428SC Fan Box for use on Suspended Ceiling Grid

- Contents: (1) FB428SC FAN BOX
 (2) NM94 CABLE CONNECTOR
 (3) DWB0812 DROP WIRE SUPPORT KIT
 (4) #10-32 X 4" LONG SCREWS (2 PCS.)
 (5) GRID COVER



FB428SC Installation (Viewed from above)

Installation Instructions:

1. FB428SC Fan & Fixture box can be installed on a T-Bar rail or at the intersection of T-Bar rails. Determine the desired location and cut ceiling tiles as required.
2. Install FB428SC on suspended ceiling grid. FB428SC can be adjusted for use with Premium/Reveal Edge ceiling tiles by removing tabs as shown in 'Figure A'. Use pliers to remove tabs if necessary.
3. Locate structural member directly above FB428SC location and install supplied DWB0812 Drop Wire Support Kit per included instructions. FB428SC Box must be supported independent of suspended ceiling grid.
4. Install non-metallic cable in FB428SC using supplied NM94 connector.
5. Reinstall any ceiling tiles that were removed.
6. Install Ceiling Fan per Fan Manufacturer's instructions. Place FB428SC Grid Cover between ceiling grid and Fan Manufacturer Supplied fan support bracket.

If you have any questions or if parts are missing from your FB428SC Fan box Kit, Please call our Customer Service Department at 1-800-233-4717. Do not call or return this product to your local store or distributor.