



Arlington Industries, Inc.

1 Stauffer Ind. Park - Scranton, Pa. 18517

800-233-4717 Fax: 570-562-0646

www.aifittings.com - E-MAIL: sales@aifittings.com

Manufacturers of Quality Electrical Products



FBC42251 Multi-Purpose Box

Arlington Cat #

FBC42251 W (White)

FBC42251 GY (Gray)

FBC42251 BR (BROWN)

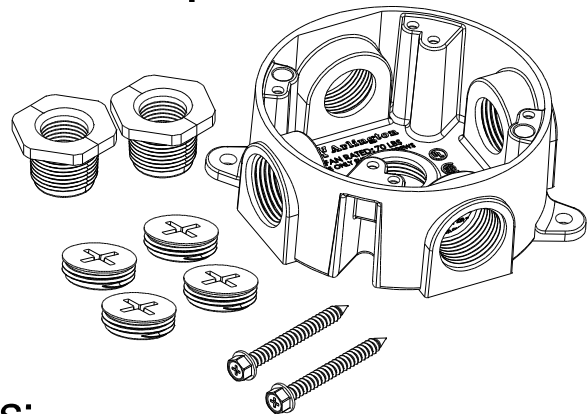
Contents:

(1) FBC42251 Fan box

(4) 3/4 NPT Plugs

(2) 3/4" to 1/2" Reducing Bushings

(2) #12 x 3" Lg. Screws



Installation Instructions:

1. Make sure power is OFF at main panel box before installing.
2. Install fittings with conduit. Seal unused openings with plugs. Use included reducing bushings if needed.
NOTE: For rain-tight applications sealing compound (not included) must be used on threaded plugs/fittings.
3. Mount FBC42251 box to structural member (screws not provided) thru (2) external tabs.
4. Pull wire and attach Fan/Fixture using provided #12 x 3" long screws thru Fan/Fixture bracket into structural framing.
5. Wire Fan/Fixture per manufacturer's instructions and all Local, State, & National codes.

All wiring must be in accordance with National (NEC/CEC), State and Local Electrical Codes.

WARNING: *Make sure power is OFF at main panel before installing.*

If you have any questions or if parts are missing from your FBC42251 kit, Please call our Customer Service Department at 1-800-233-4717. Do not call or return this product to your local store or distributor.