

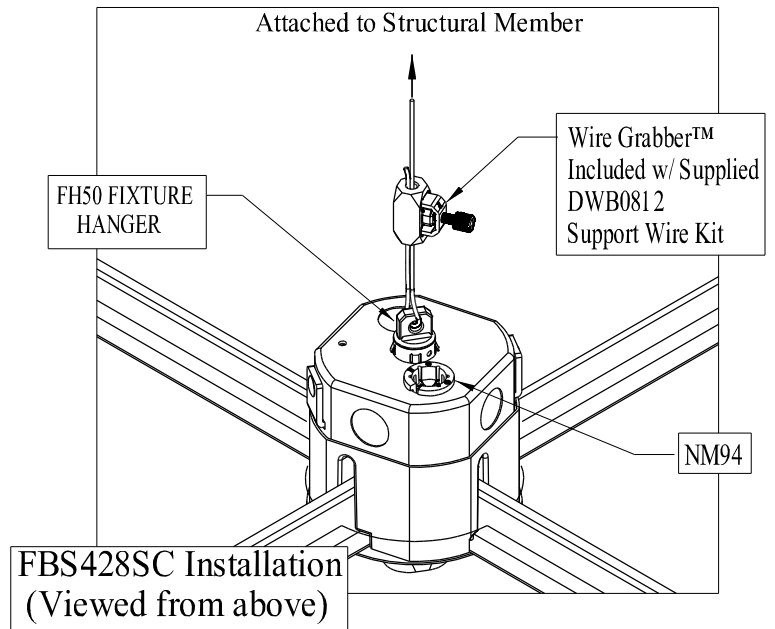
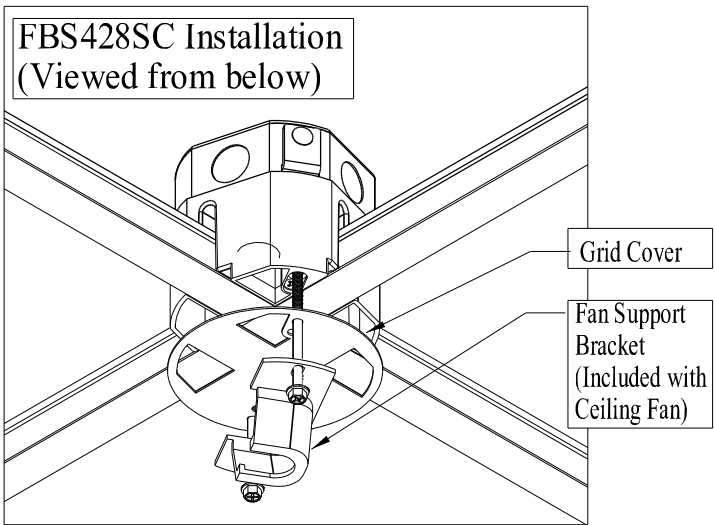
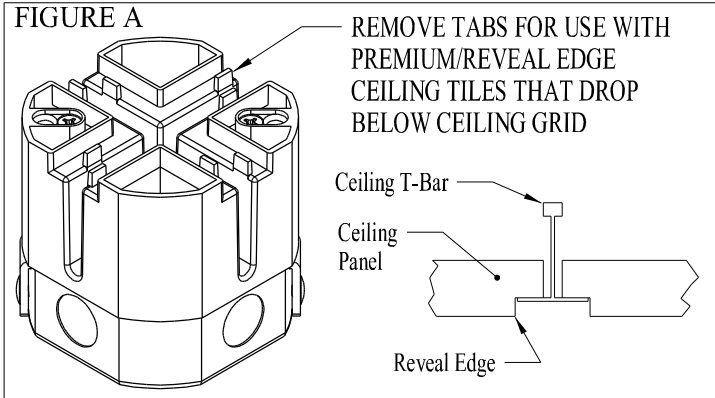
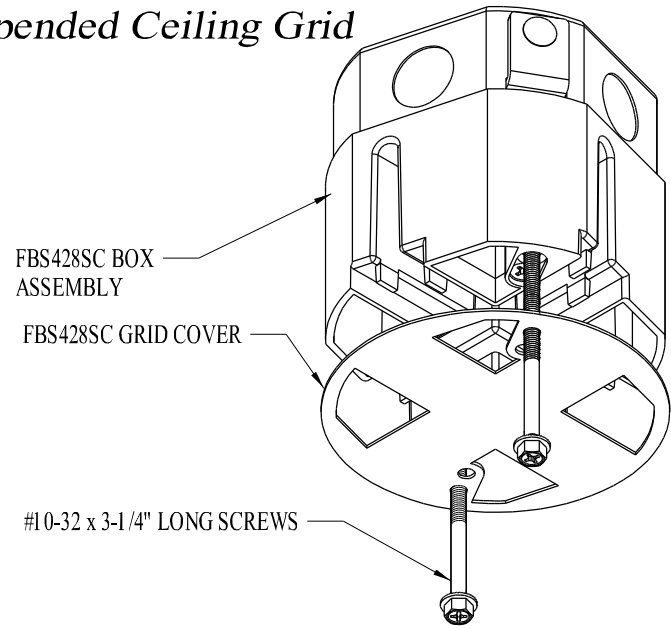


All wiring must be in accordance with National (NEC/CEC), State and Local Electrical Codes.



FBS428SC Steel Fan/Fixture Box for use on Suspended Ceiling Grid

- Contents:**
- (1) FBS428SC STEEL FAN BOX ASSEMBLY
 - (2) FH50 FIXTURE SUPPORT (INSTALLED)
 - (3) DWB0812 DROP WIRE SUPPORT KIT
 - (4) #10-32 X 2-3/4" LONG FLAT HEAD SCREWS (2 PCS.) (INSTALLED)
 - (5) #10-32 X 3-1/4" LONG WASHER HEAD SCREWS (2 PCS.)
 - (6) FBS428SC GRID COVER
 - (7) NM94 NON-METALLIC CABLE CONNECTOR



Installation Instructions:

1. FBS428SC Fan & Fixture box can be installed on a T-Bar rail or at the intersection of T-Bar rails. Determine the desired location and cut ceiling tiles as required.
2. Remove desired knockout from steel box. Install supplied NM94 Cable connector if using non-metallic cable. If using metallic cable use approved connector (not supplied, Arlington's SNAP²IT[®] fittings recommended)
3. Install Cable(s).
4. Install FB428SC on suspended ceiling grid. FBS428SC can be adjusted for use with Premium/Reveal Edge ceiling tiles by removing tabs as shown in 'Figure A'. Use pliers to remove tabs if necessary.
5. Locate structural member directly above FBS428SC location and install supplied DWB0812 Drop Wire Support Kit (per included instructions) thru installed FH50 fixture hanger. FBS428SC Box must be supported independent of suspended ceiling grid.
6. Reinstall any ceiling tiles that were removed.
7. Install Ceiling Fan per Fan Manufacturer's instructions. Place FBS428SC Grid Cover between ceiling grid and Fan Manufacturer Supplied fan support bracket.

If you have any questions or if parts are missing from your FBS428SC Fan box Kit, Please call our Customer Service Department at 1-800-233-4717. Do not call or return this product to your local store or distributor.