

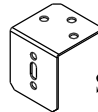
## FES102 SCREW-ON GANGABLE BOX

### Contents:

- (1) FES102 - Screw-On Section
- (1) FE102 - End Section
- (1) Steel Brace
- (1) #8 x 1/2" Long Screw
- (2) NM94 Cable Connectors



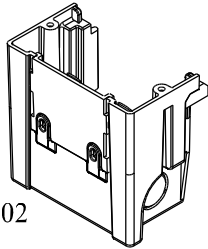
NM94 Cable Connector



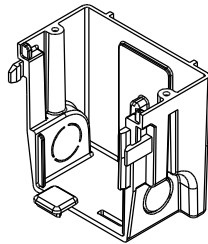
Steel Brace



#8 x 1/2" Screw



FES102



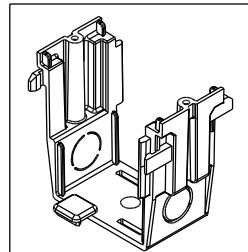
FE102E

37.0 IN<sup>3</sup> VOLUME

FES102 + FE102E: 37.0 IN<sup>3</sup> VOLUME  
 FE102C (SOLD SEPERATELY) ADDS  
 17.5 IN<sup>3</sup> VOLUME PER GANG

### EXAMPLE:

3-GANG	54.5 IN <sup>3</sup> VOL.
4-GANG	72.0 IN <sup>3</sup> VOL.
5-GANG	89.5 IN <sup>3</sup> VOL.
6-GANG	107.0 IN <sup>3</sup> VOL.
7-GANG	124.5 IN <sup>3</sup> VOL.
8-GANG	142.0 IN <sup>3</sup> VOL.

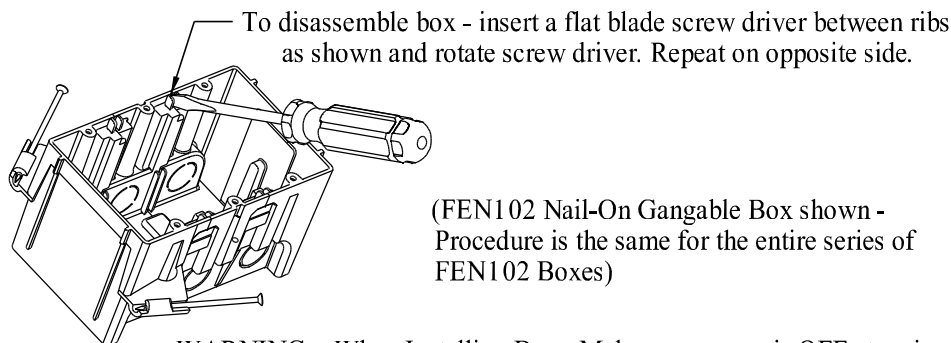
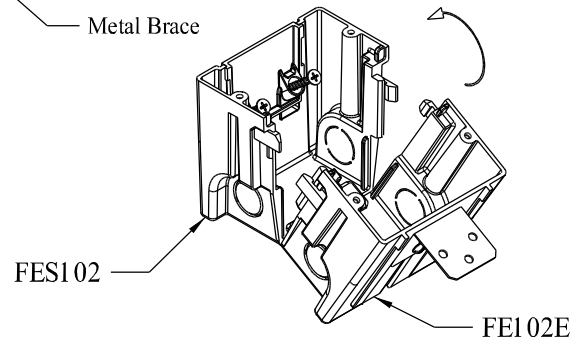
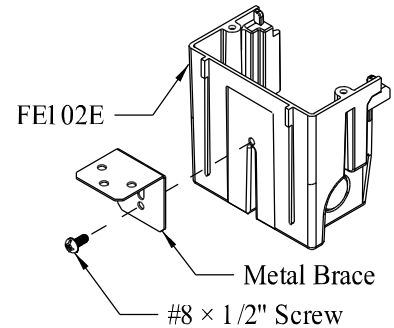
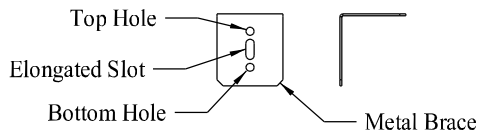


FE102C (Adds 17.5 IN<sup>3</sup>)  
 (Sold Separately)

If you have any questions or if parts are missing Please call our Customer Service Department at 1-800-233-4717. Do not call or return this product to your local store or distributor.

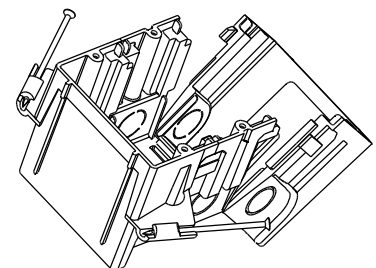
## Assembly Instructions:

1. Determine the amount of reveal required for application and Attach the Metal Brace to FE102E with #8 x 1/2" Screw provided ;
  - \* For 1/2" Reveal use the bottom hole on Metal Brace.
  - \* For 1-1/4" Reveal use the top Hole in Metal Brace.
  - \* For other applications use the center elongated slot in the Metal Brace and adjust as needed.
2. Attach FES102 to FE102E by tilting each piece as shown and by inserting the tabs into the slots in bottom of each piece. Then rotate and snap the sections together along the sides of each piece.
3. If necessary, use same assembly method to attach FE102C center sections (sold seperately) to create 3-10 Gang Installations.



To disassemble box - insert a flat blade screw driver between ribs as shown and rotate screw driver. Repeat on opposite side.

(FEN102 Nail-On Gangable Box shown - Procedure is the same for the entire series of FEN102 Boxes)



**WARNING :** When Installing Box, Make sure power is OFF at main panel box before installing.

**NOTE:** All Wiring Must be According to NEC, State and Local Codes.

The manufacturer and distributor warrant this product for material and workmanship only, and shall not be liable for any special incident or consequential damages or for damages or loss caused by improper use or installation.