

Arlington Industries, Inc.

1 Stauffer Ind. Park - Scranton, Pa. 18517
 800-233-4717 Fax: 570-562-0646
 www.aifittings.com - E-MAIL: sales@aifittings.com
 Manufacturers of Quality Electrical Products

Arlington Cat #
FLB4360MB (Brass)
FLB4360NL (Nickel)

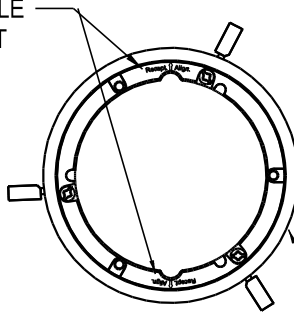


FLB4360 Floorbox Kit

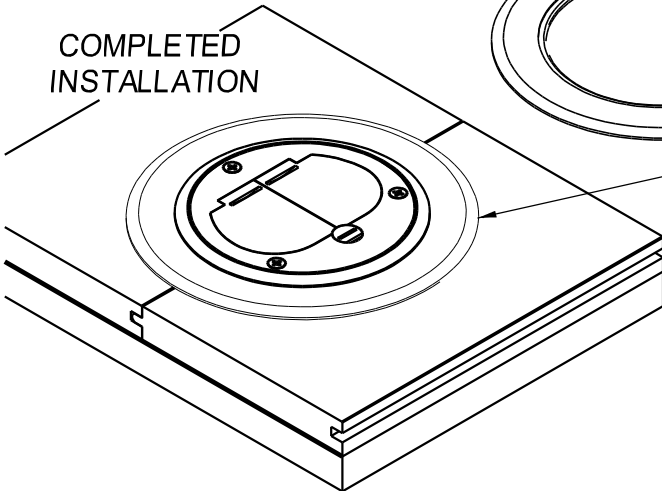
Contents:

- (1) FLB4360 Mounting Bracket
- (1) FLB3500 Box
- (1) FLB3532 Cover Plate
- (1) Gasket
- (1) Gasket Support Plate
- (1) Carpet Ring
- (1) NM94 Cable Connector
- (1) NM95 Cable Connector
- (3) #8 x 1/2" Long Sheet Metal Screws
- (3) #8 x 1/2" Long Flat Head Screws
- (1) #6 X 1/2" Long Screw
- (1) UL Listed 15A Duplex Receptacle

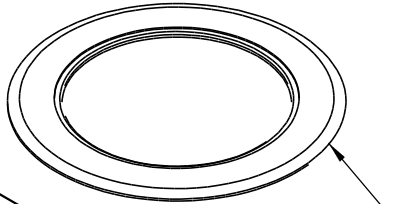
RECEPTACLE
ALIGNMENT
MARK



COMPLETED
INSTALLATION



CARPET
RING



#8 x 1/2" FLAT
HEAD SCREW

FLB3532
COVERPLATE

GASKET

#6 x 1/2" SCREW

PLASTIC GASKET
SUPPORT PLATE

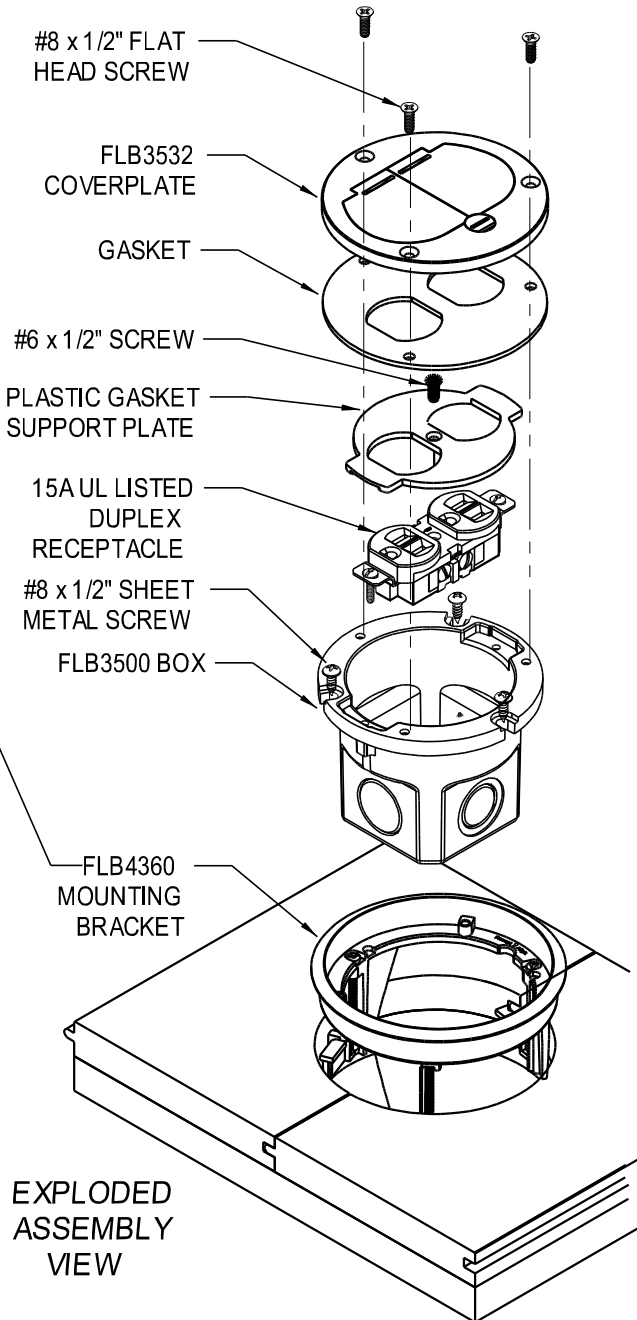
15A UL LISTED
DUPLEX
RECEPTACLE

#8 x 1/2" SHEET
METAL SCREW

FLB3500 BOX

FLB4360
MOUNTING
BRACKET

EXPLODED
ASSEMBLY
VIEW



All wiring must be in accordance with National (NEC/CEC), State and Local Electrical Codes.

WARNING: Make sure power is OFF at main panel before installing.
 If you have any questions or if parts are missing from your FLB4360 kit, Please call our Customer Service Department at 1-800-233-4717. Do not call or return this product to your local store or distributor.

Installation Instructions:

1. Determine location for the floorbox installation, being careful to avoid structural framing members.
2. At desired location, cut 4-1/4" diameter hole thru flooring and subfloor using hole saw. If necessary, use included Carpet Ring to cover cut edges of carpet or oversized hole.
3. Place FLB4360 Mounting Bracket into hole. Align the bracket for proper receptacle orientation using indicator marks and tighten (3) wing screws to secure bracket to the floor.
4. Pull non-metallic type cable and install in FLB3500 box using supplied NM94 or NM95 cable connector.
5. Attach box to bracket using three #8 x 1/2" long sheet metal screws (provided) through the U-shaped cut-outs in FLB3500 box.
6. Wire receptacle and install in box. All wiring to be in accordance with State, Local, and National electrical codes.
7. Attach supplied gasket support plate to receptacle with #6 x 1/2" Long Screw, and install Gasket.
8. Attach coverplate to box using 3 #8 x 1/2" long flat head machine screws