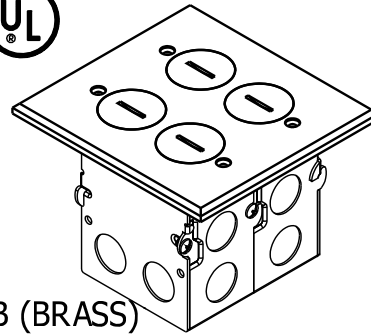




Arlington Industries, Inc.

1 Stauffer Ind. Park - Scranton, Pa. 18517  
 800-233-4717 570-562-0646  
 www.aifittings.com - E-MAIL : sales @ aifittings.com  
 Manufacturers of Quality Electrical Products



## Floorbox Coverplate Kit Two-Gang, Coin Style

AI CAT. #  
 FLB5541MB (BRASS)  
 FLB5541NL (NICKEL)

**WARNING:** Make sure power is OFF at main panel box before installing.

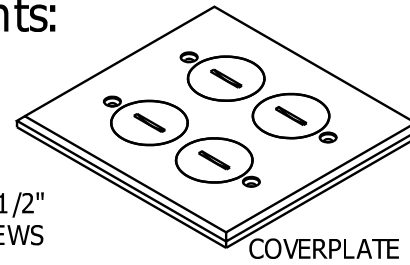
### INSTALLATION INSTRUCTIONS

1. Cut electrical box into subfloor/finished floor, avoiding floor joists. For finish floor thickness greater than 1/2" thick, box will need to be routed so the outside mounting tabs are 1/4"-1/2" recessed into finished floor. Adjust outside mounting tabs on electrical box so that receptacle mounting tabs are recessed approximately 1/4"
2. Ensure that receptacle mounting location is clear of any subfloor/finishing material so #6-32 screws can extend past floor surface
3. Install appropriate fitting & pull cable
4. Secure electrical box with four screws through outside tabs. (screws not provided)
5. When attaching box to sub-floor, finish floor surface should be brought up to long sides of electrical box and within a 1/2" of mounting ears on short sides of box. **IMPORTANT:** Finished floor surface must cover outside tabs by a minimum of 1/4"
6. Wire receptacle in accordance with National (NEC/CEC), state/province, and local codes
7. Attach gasket support plates to receptacles with #6-32 x 1/2" long screws.
8. Place gaskets on top of gasket support plates.
9. Install coverplate using four #6-32 x 1-3/16 long screws.

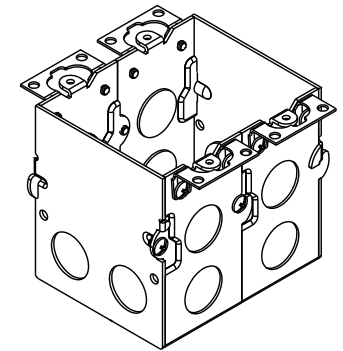
If you have any questions or if parts are missing Please call our Customer Service Department at 1-800-233-4717. Do not call or return this product to your local store or distributor.

### Contents:

#6-32 x 1/2"  
 LG. SCREWS

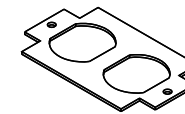


COVERPLATE

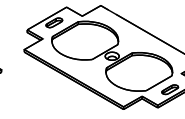


ELECTRICAL DEVICE BOX

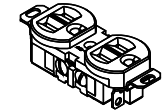
#6-32 x 1-3/16"  
 LG. SCREWS



(2) GASKETS



(2) GASKET  
 SUPPORT  
 PLATES



(2) 15A UL LISTED  
 DUPLEX  
 RECEPTACLE

