

INSTALLATION INSTRUCTIONS

FLBAF101 ADJUSTABLE FLOOR BOX

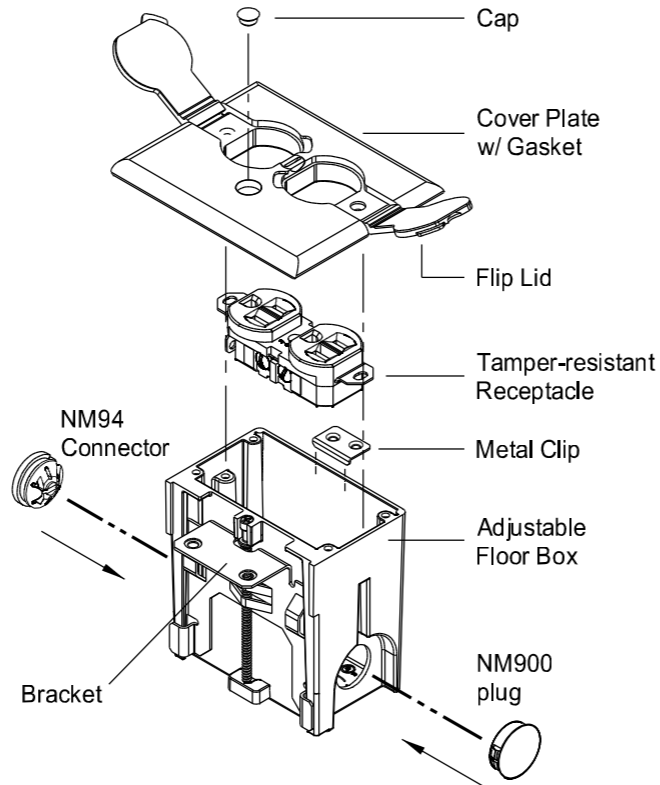
Contents:

- (1) adjustable Floor Box
- (1) tamper-resistant ("TR") duplex receptacle
- (1) cover plate w/ gasket, flip lids
- (2) #6-32 x 1" long screws
- (4) #6 drywall screws
- (1) NM94 connector
- (1) NM900 plug
- (1) cap (covers adjustable screw hole in cover plate)
- (1) metal clip



If you have questions or if parts are missing, from your FLBAF101 please call Arlington's Customer Service Department at 1-800-233-4717. DO NOT CALL or RETURN PRODUCT to your LOCAL STORE or DISTRIBUTOR.

- 1 Determine location to install FLBAF101 Floor Box avoiding floor joist.
- 2 Cut a 2-3/8" x 3-3/4" hole in floor. (template provided).
- 3 Install the NM94 connector in the desired opening in box. Install NM900 Plug in the other opening.
- 4 Pull cable through NM94 connector.
- 5 Install box to floor by attaching top of bracket with (2) #6 drywall screws provided to floor.
- 6 Wire the TR receptacle and install in box.
- 7 Position (adjust) top of Box to finished floor height.
- 8 Install metal clip with (2) #6 drywall screws (provided) if desired.
- 9 Install cover plate using (2) #6-32 screws provided.
- 10 Insert Cap in adjusting hole.



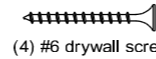
Wire receptacle per NEC, State and Local Codes.
The manufacturer warrants this product for material and workmanship only, and shall not be liable for any special incident or consequential damages or for damages or loss caused by improper use or installation.



(1) NM94 connector



(1) NM900 plug



(4) #6 drywall screws



(2) #6-32 x 1" long screws

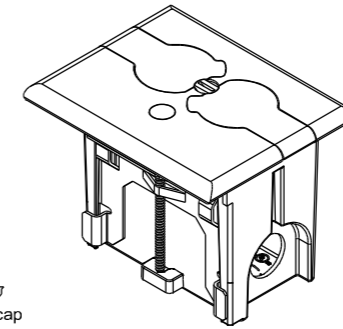


(1) metal clip

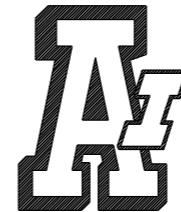
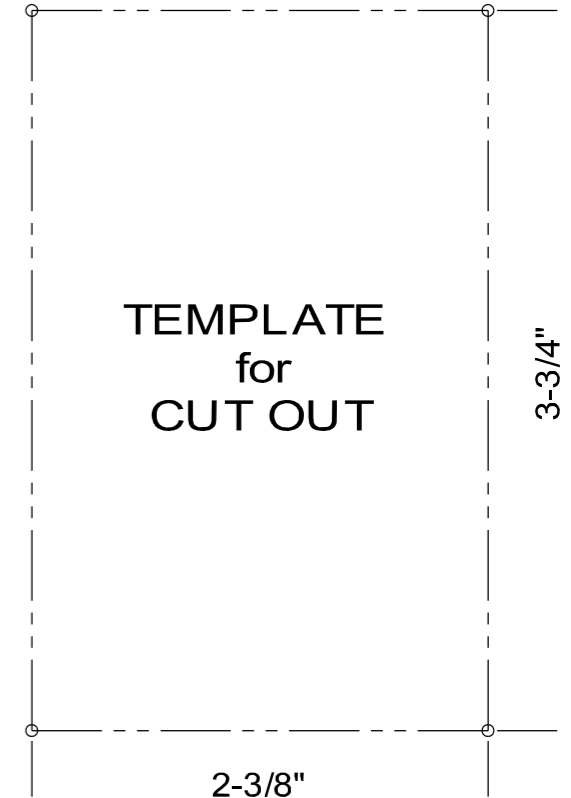


(1) cap

Assembled View



FLBAF101



Arlington

1 Stauffer Industrial. Park
Scranton, Pa. 18517
800/233.4717
Fax : 570/562.0646
Email sales@aifittings.com
www.aifittings.com