

Arlington Industries, Inc.

1 Stauffer Ind. Park - Scranton, Pa. 18517
800-233-4717 Fax: 570-562-0646
www.aifittings.com - E-MAIL: sales@aifittings.com
Manufacturers of Quality Electrical Products

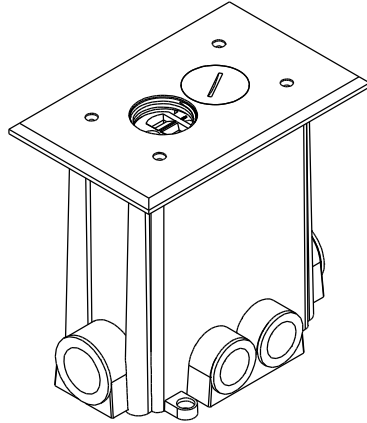


Installation Instructions For : FLBC101 Rectangular Floor Box for Concrete

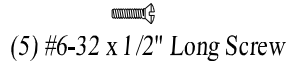
W	White
B	Black
BR	Brown
LA	Light Almond
MB	Brass
NL	Nickel

Contents:

- (1) Concrete Can
- (1) Mud Cover
- (4) 3/4" Plugs
- (2) 1" Plugs
- (1) Set 1/8" Spacer
- (1) Set 1/4" Spacer
- (1) Set 1/2" Spacer
- (1) Set 3/4" Spacer
- (1) Mounting Bracket w/ Gasket
- (1) TR Receptacle
- (1) Back Plate
- (1) Cover Plate w/ Gasket
- (2) Threaded Plugs
- (5) #6-32 x 1/2" Long Screws
- (4) #8 x 5/8" Lg. Sheet Metal Screws
- (4) #8 x 1-1/4" Lg. Sheet Metal Screws



Assembled View of FLBC101



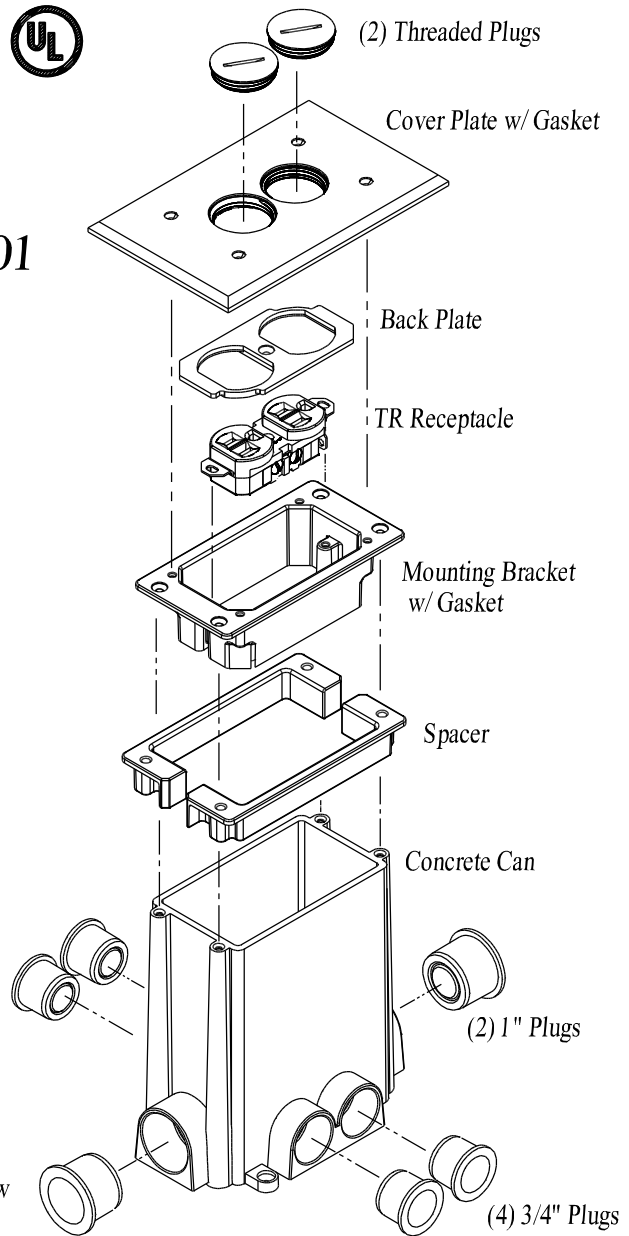
(5) #6-32 x 1/2" Long Screw



(4) #8 x 5/8" Long Sheet Metal Screw



(4) #8 x 1-1/4" Long Sheet Metal Screw
(for use with spacers)



If you have any questions or if parts are missing from your FLBC101, Please call our Customer Service Department at 1-800-233-4717.
Do not call or return this product to your local store or distributor.

Installation Instructions:

1. Install Concrete Can and Mud Cover. Where conduit openings are not used install provided plugs using PVC Cement.
2. After concrete sets, cut Concrete Can to finished floor height.
3. Pull conductors through opening.
4. Install Mounting Bracket using (4) #8 sheet metal screws provided in (4) outer holes of Bracket and into holes in Can.
5. Wire TR Receptacle and install in box.
6. Install Back Plate using (1) #6-32 screw provided.
7. Install Cover with (4) #6-32 screws provided & install (2) Threaded Plugs.
8. 1/8", 1/4", 1/2" or 3/4" Spacers (provided) can be used for adjustment of Floor Box to accommodate future floor thickness. Sealant must be used on all joints for waterproof installation.

Wire Receptacle per NEC, State and Local Codes.

The manufacturer and distributor warrant this product for material and workmanship only, and shall not be liable for any special incident or consequential damages or for damages or loss caused by improper use or installation.