



# Arlington Industries, Inc.

1 Stauffer Ind. Park - Scranton, Pa. 18517

800-233-4717 Fax: 570-562-0646

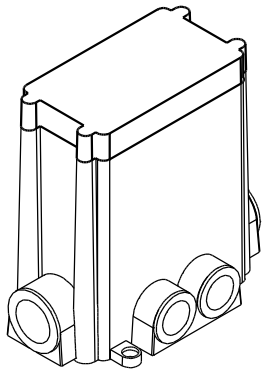
www.aifittings.com - E-MAIL: sales@aifittings.com

Manufacturers of Quality Electrical Products

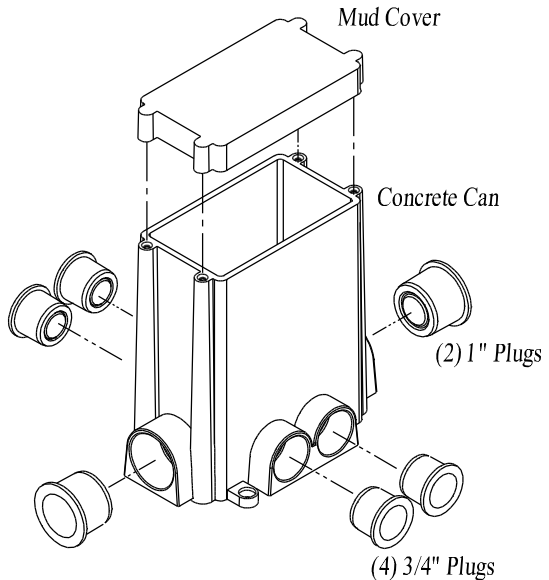
## Installation Instructions For : FLBC101 RK Rectangular Floor Box for Concrete

### Contents:

- (1) Concrete Can
- (1) Mud Cover
- (4) 3/4" Plugs
- (2) 1" Plugs



Assembled View of FLBC101



If you have any questions or if parts are missing from your FLBC101, Please call our Customer Service Department at 1-800-233-4717.  
Do not call or return this product to your local store or distributor.

### Installation Instructions:

1. Set Floorbox into position and secure box in place thru molded mounting ears.
2. Install conduit as needed using PVC cement.
3. Pull wires thru conduit as required.
4. Install provided blank plugs w/ PVC cement to seal unused openings.
5. Install pour cap.
6. Pour concrete to desired depth.
7. Use saw to cut concrete box to finished floor height after concrete has cured.

**\* Complete the installation using an Arlington FLBC101  
or FLBCF101 series trim kit.**

The manufacturer warrants this product for material and workmanship only, and shall not be liable for any special incident or consequential damages or for damages or loss caused by improper use or installation.