

Arlington Industries, Inc.

1 Stauffer Ind. Park - Scranton, Pa. 18517
800-233-4717 Fax: 570-562-0646
www.aifittings.com - E-MAIL: sales@aifittings.com
Manufacturers of Quality Electrical Products

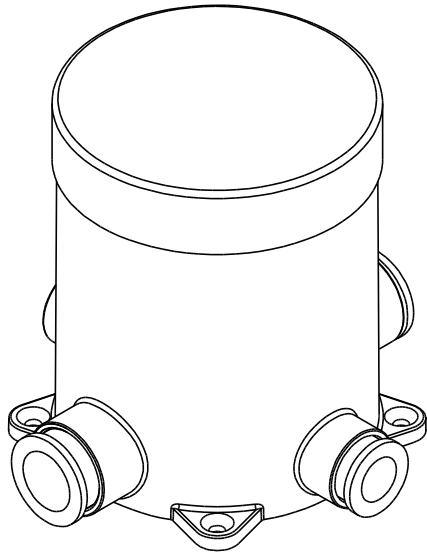


Installation Instructions For: FLBC4500

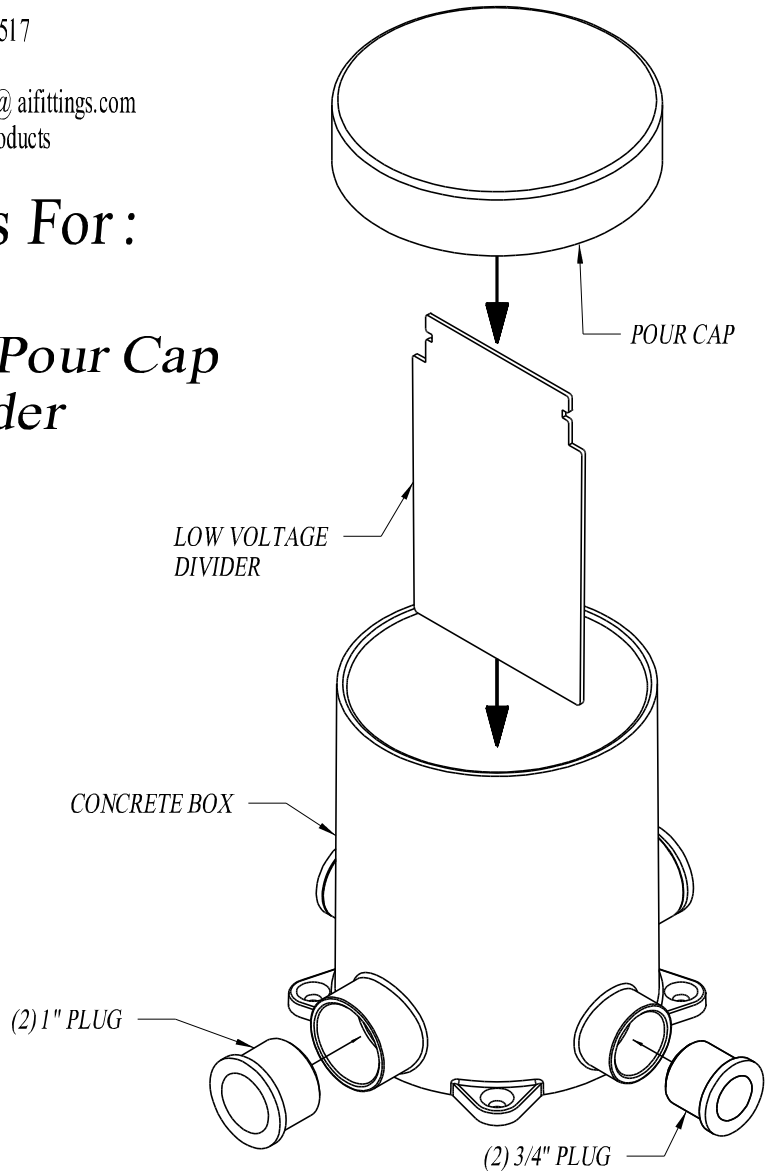
Round Floorbox With Pour Cap and Low Voltage Divider

Contents:

- (1) Concrete Can
- (1) Pour Cap
- (2) 3/4" Plugs
- (2) 1" Plugs
- (1) Low Voltage Divider



Assembled View of FLBC4500



**Complete the FLBC4500 installation
with Arlington leveling rings & trim kit
(Sold Separately)**

If you have any questions or if parts are missing from your FLBC4500, Please call our Customer Service Department at 1-800-233-4717.
Do not call or return this product to your local store or distributor.

Installation Instructions:

1. Set Floorbox into position and secure box in place thru molded mounting ears.
2. Install conduit as needed using PVC cement.
3. Pull wires thru conduit as required.
4. Install provided blank plugs w/ PVC cement to seal unused openings.
5. Install pour cap.
6. Pour concrete to desired depth.
7. Use saw to cut concrete box to finished floor height after concrete has cured.
8. If low-voltage partition is to be used, cut same amount from the bottom of part as was removed from the concrete can.

The manufacturer warrants this product for material and workmanship only, and shall not be liable for any special incident or consequential damages or for damages or loss caused by improper use or installation.

INSTALLATION SUPPLEMENT FOR ARLINGTON PVC FLOORBOXES WHEN USED WITH FLOOR JOIST CONSTRUCTION

If desired, Arlington PVC Floorboxes can be adapted for use with wood framed construction. Cut hole in desired location for floor box thru the finished flooring & subfloor, careful to avoid floor joist locations.

Install a 2 x 8 (or larger) cross member parallel to floor surface, anchored securely thru existing floor joists with appropriate nails/construction screws. (3) 2-1/2" minimum recommended per each end. Ensure that the cross member is located to suit the height of PVC floorbox.

Attach PVC floorbox securely to cross member with (4) 1-1/2" long screws minimum (not supplied)

To adapt PVC floorbox for use with non-metallic cable, glue a short length of PVC rigid conduit into the floorbox conduit socket.

Secure NM Cable within 12" of Floorbox using an NM Cable Staple (not supplied).

Seal any unused conduit hubs with PVC Conduit Plugs (supplied with PVC FloorBox).

Install Floorbox Coverplate per instructions included with Coverplate kit.

