



# Arlington Industries, Inc.

1 Stauffer Ind. Park, Scranton, PA 18517  
Phone: 800-233-4717 Fax: 570-562-0646  
www.aifittings.com E-mail: sales@aifittings.com

# RECESSED FLOOR BOX KIT (FLBC5540)

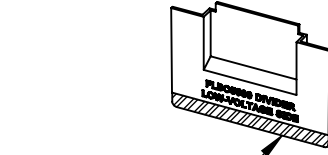
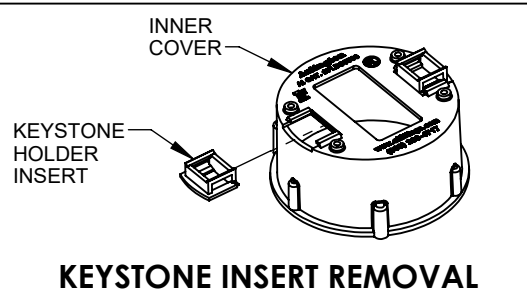


### Arlington Cat. #

- |                             |                           |
|-----------------------------|---------------------------|
| FLBC5540NL (BRUSHED NICKEL) | FLBC5540BL (BLACK)        |
| FLBC5540MB (METALLIC BRASS) | FLBC5540BR (BROWN)        |
| FLBC5540AB (ANTIQUÉ BRASS)  | FLBC5540LA (LIGHT ALMOND) |

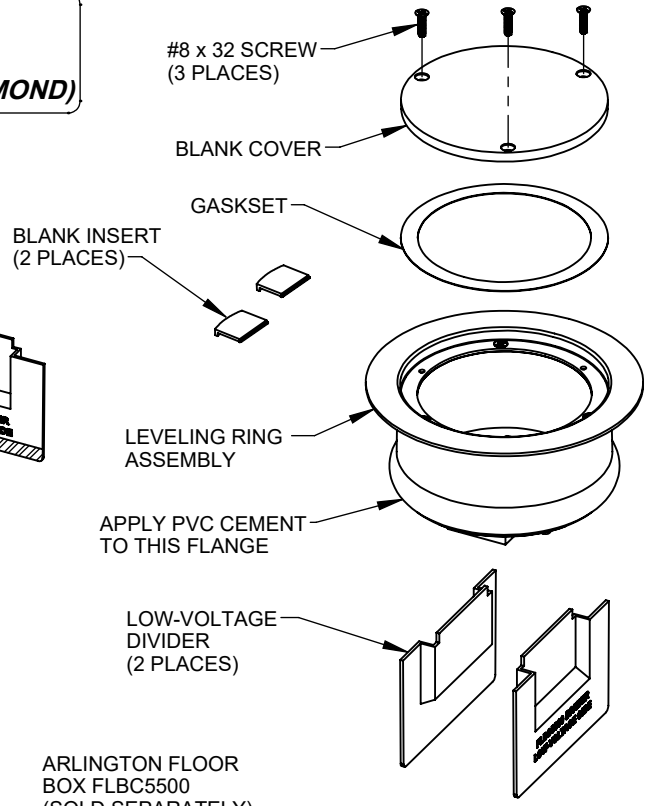
### CONTENTS:

- (1) LEVELING RING ASSEMBLY w/INSTALLED UL LISTED 20 AMP DECORATOR RECEPTACLE
- (2) LOW-VOLTAGE (LV) KEYSTONE HOLDER INSERTS (INSTALLED)
- (2) LOW-VOLTAGE (LV) BLANK INSERTS
- (2) LOW VOLTAGE DIVIDERS
- (1) BLANK COVER w/GASKET
- (1) IN-USE COVER
- (3) #8-32 x 5/8" FLAT HEAD SCREWS



CUT THIS EDGE OF LOW-VOLTAGE DIVIDER

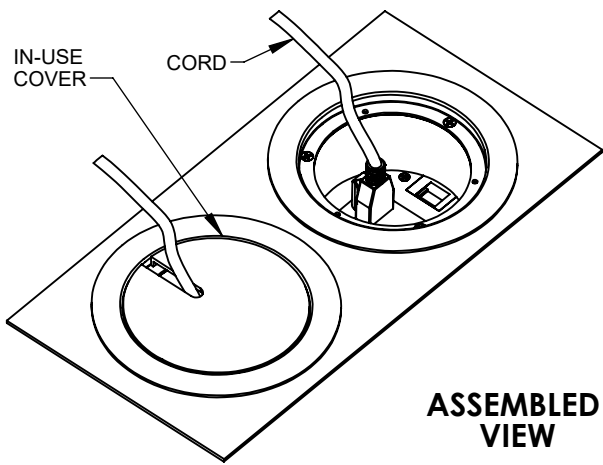
*For use with non-metallic wiring systems only.*



ARLINGTON FLOOR BOX FLBC5500 (SOLD SEPARATELY)

CONCRETE

*All wiring must be according to National (NEC/CEC), State and Local Codes.*



If you have any questions or if parts are missing from your FLBC5540 Recessed Floor Box Kit, please call our Customer Service Department at 1-800-233-4717. Do not call or return this product to your local store or distributor.

## Installation Instructions

- Use saw to cut installed FLBC5500 FLOOR BOX (sold separately) to FINISHED FLOOR HEIGHT after concrete has cured.
- If LOW-VOLTAGE DIVIDER(S) is to be used, cut same amount from the bottom of the LOW-VOLTAGE DIVIDER as was cut from the FLOOR BOX.
- To use BLANK INSERT--remove (4) #8-32 SCREWS from INNER COVER to separate from LEVELING RING. Slide KEYSTONE HOLDER INSERT outward to remove from INNER COVER. Install BLANK INSERT into INNER COVER and reinstall to LEVELING RING using (4) SCREWS.
- Wire RECEPTACLE and/or LOW VOLTAGE DEVICE(S) according to NEC, State and Local codes.
- Seal underside of COVER PLATE with silicone sealant (not included) if desired.
- After installation of finished flooring, secure LEVELING RING assembly to FLOOR BOX using PVC CEMENT(not included) applied to LEVELING RING'S rounded flange.
- Cover Option #1: Install GASKET and BLANK COVER with (3) #8 x 5/8" SCREWS.
- Cover Option #2: Install IN-USE COVER (no screws required).

WARNING: Make sure power is OFF at main panel box before installing.

NOTE: All wiring must be according to NEC, State and Local codes.