



Arlington Industries, Inc.
 1 Stauffer Ind. Park - Scranton, Pa. 18517
 800-233-4717 Fax: 570-562-0646
 www.aifittings.com - E-MAIL: sales@aifittings.com
 Manufacturers of Quality Electrical Products



Arlington Cat #
 FLBR5420MB (Metallic Brass)
 FLBR5420NL (Brushed Nickel)

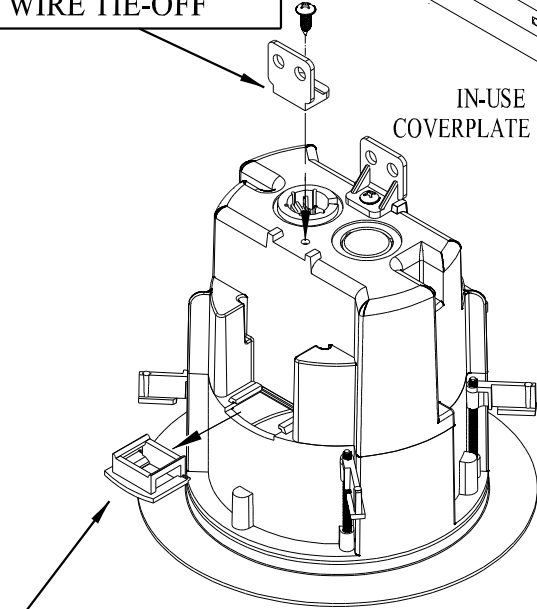
For Canada add 'GC' suffix
 to CAT #s shown above

FLBR5420 Floorbox Kit

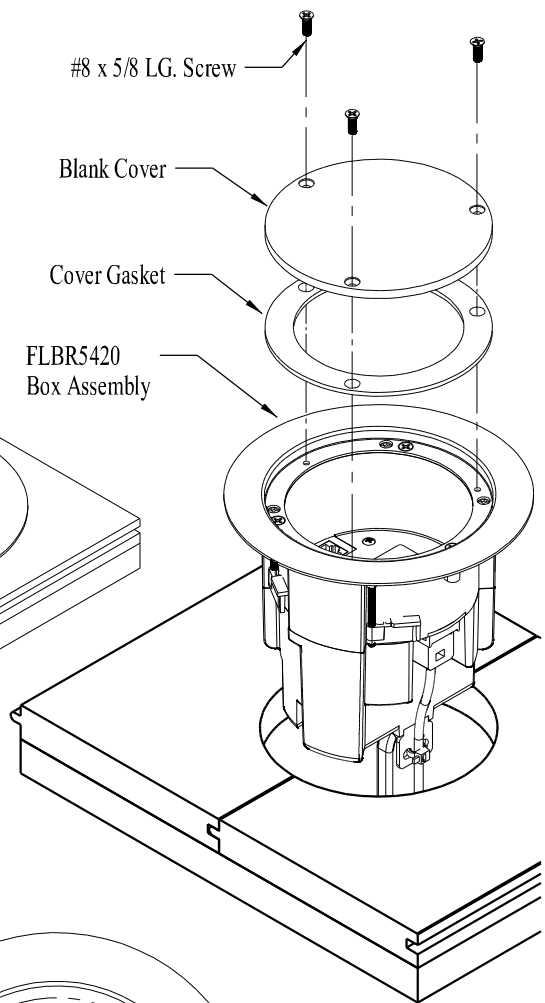
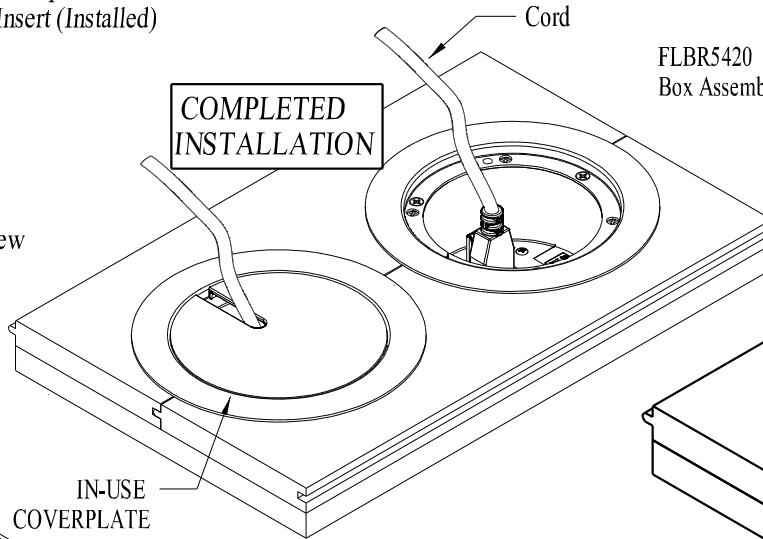
Contents:

- (1) UL Listed 20A Decorator Style Receptacle
- (2) Low-Voltage Keystone Holder Insert (Installed)
- (2) Blank Insert
- (1) Blank Cover w/ Gasket
- (1) In-Use Cover
- (3) #8 x 5/8" Lg. Flat Head Screw
- (1) NM94 Cable Connector
- (2) Low-Voltage Tie-Off Brackets
- (2) #8 x 1/2" Long Sheet Metal Screw

INSTALLATION OF LOW-VOLTAGE WIRE TIE-OFF



KEYSTONE INSERT REMOVAL



#6 Coverplate Screw (4X)

Wing Screw (4X)

All wiring must be in accordance with National (NEC/CEC), State and Local Electrical Codes.

Installation Instructions:

WARNING: Make sure power is OFF at main panel before installing.

1. Determine location for the floorbox installation, being careful to avoid structural framing members.
2. At desired location, cut 5" diameter hole thru flooring and subfloor using hole saw.
3. Pull non-metallic cable and install in box using supplied NM94 cable connector.
4. Wire receptacle and install in box. All wiring to be in accordance with State, Local, and National electrical codes.
5. Install (4) coverplate screws to secure box to floor flange assembly
6. Install low-voltage devices into pre-installed LV Keystone Holder if desired. Keystone Blank Inserts may be used if desired.
7. Low-Voltage Tie-Off brackets may be installed to back of box with supplied #8 x 1/2" long sheet metal screws. Use cable tie (not supplied) to attach low-voltage cables if desired.
8. For wood, tile, or any hard surface floors, add caulking as required under flange to seal off at floor.
9. Place FLBR5420 Floor Box into hole. Orient the box to suit installation and tighten (4) wing screws to secure floorbox to the floor.

- Option #1:** Attach coverplate & gasket to box using (3) #8 x 5/8" long flat head machine screws for a UL listed scrubwater-tight assembly.
- Option #2:** Install In-Use Coverplate for an in-use receptacle. Store Gasket, Blank Cover & (3) supplied #8 screws for future use