



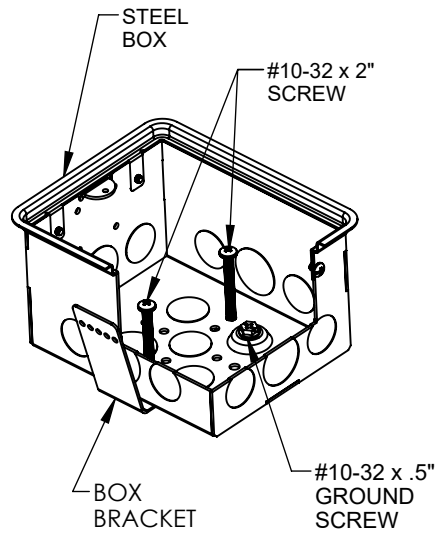
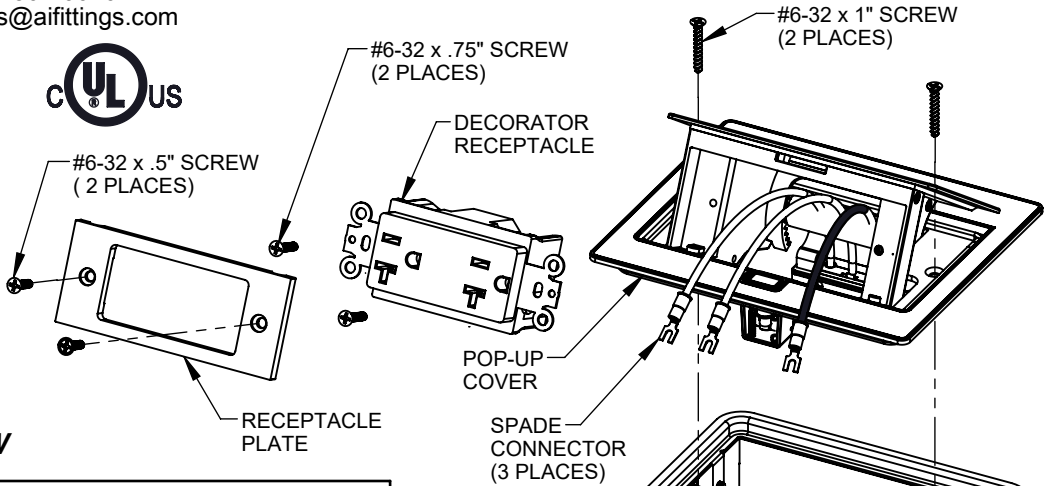
Arlington Industries, Inc.
 1 Stauffer Ind. Park, Scranton, PA 18517
 Phone: 800-233-4717 Fax: 570-562-0646
 www.aifittings.com E-mail: sales@aifittings.com

FLBT7200 POP-UP COVER AND BOX KIT FOR FLOORS AND COUNTERTOPS

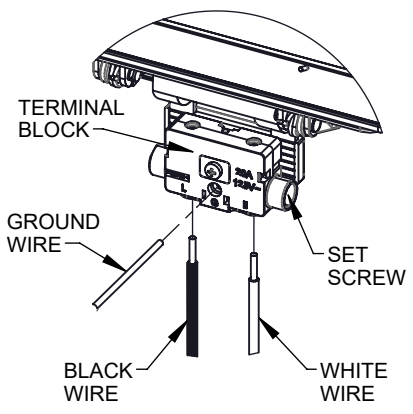
Arlington Cat. #:
FLBT7200SS (STAINLESS STEEL)
FLBT7200BL (GLOSS BLACK)



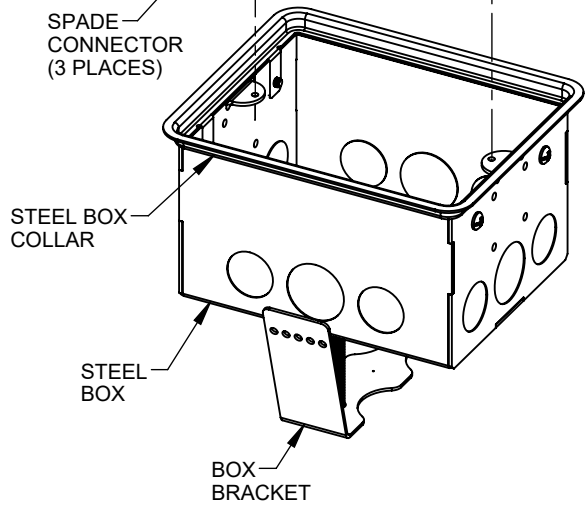
- CONTENTS:**
- (1) FLBT7200 STEEL BOX
 - (1) FLBT7200 BOX BRACKET
 - (1) FLBT7200 POP-UP COVER
 - (1) DECORATOR RECEPTACLE
 - (1) RECEPTACLE PLATE
 - (2) #10-32 x 2" SCREWS
 - (2) #6-32 x .75" SCREWS
 - (2) #6-32 x .5" SCREWS
 - (2) #6-32 x 1" SCREWS
 - (1) #10-32 x .5" GROUND SCREW



CUTAWAY VIEW, (COVER REMOVED)



TERMINAL BLOCK AND WIRING (UNDERSIDE OF POP-UP COVER)



EXPLODED ASSEMBLY VIEW

Listed as a FLOOR BOX. For installations in COUNTERTOPS check with local inspection authority for approval.

If you have any questions or if parts are missing from your FLBT7200 POP-UP COVER KIT, please call our Customer Service Department at 1-800-233-4717. DO NOT call or return this product to your local store or distributor.

Installation Instructions

- Turn OFF power at MAIN PANEL BOX.
- CAUTION: Before cutting hole, locate the position of framing members and/or other possible obstructions.
- Cut 5-5/8" x 4-5/8" rectangular hole thru COUNTERTOP with appropriate saw.
- Remove KNOCK-OUT(S) as necessary in STEEL BOX and pull wire (not included) and secure into KNOCK-OUT(S) using appropriate fitting (not supplied).
- Insert STEEL BOX fully into cutout until STEEL BOX COLLAR is seated against COUNTERTOP.
- Simultaneously push BOTH #10-32 x 2" SCREWS toward bottom of STEEL BOX until BOX BRACKET snaps open beneath COUNTERTOP.
- Tighten #10-32 x 2" SCREWS, alternating between the two, in order to secure BOX BRACKET properly to underside of COUNTERTOP.
- Strip approx. 3/8" of insulation from WIRES in ELECTRICAL CABLE (not supplied). Install wires into TERMINAL BLOCK and tighten SET SCREWS. BLACK (hot) to "L," WHITE (neutral) to "N" and GROUND (bare) to "G."
- Wire RECEPTACLE using (3) SPADE TERMINALS on POP-UP COVER wiring. BLACK to HOT (brass screw), WHITE to NEUTRAL (silver screw) and GREEN to ground screw.
- Fasten RECEPTACLE to POP-UP COVER with (2) #6 x .75" SCREWS.
- Place RECEPTACLE PLATE over RECEPTACLE and secure with (2) #6-32 x .5" SCREWS
- Place POP-UP COVER into STEEL BOX and fasten with (2) #6-32 x 1" SCREWS. Caulk as required.

The manufacturer warrants this product for material and workmanship only, and shall not be liable for any special, incidental, or consequential damages or for damages or loss caused by improper use or installation.