

Arlington Industries, Inc.

1 Stauffer Ind. Park - Scranton, Pa. 18517
800-233-4717 Fax: 570-562-0646
www.aifittings.com - E-MAIL: sales@aifittings.com
Manufacturers of Quality Electrical Products

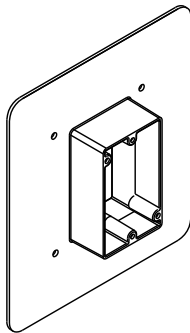
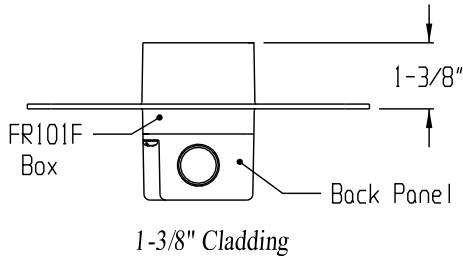
Contents:

- (1) FR101F Box
- (1) Back Panel
- (1) 1/4" Spacer
- (4) #8 x 1/2" Long Sheet Metal Screws
- (1) NM94 Connector
- (1) NM900 Plug

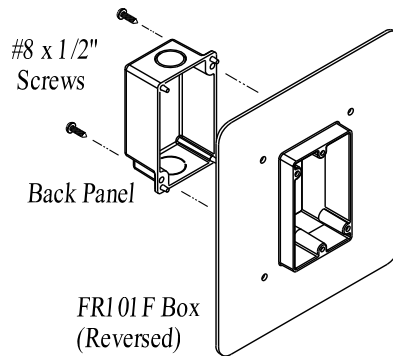
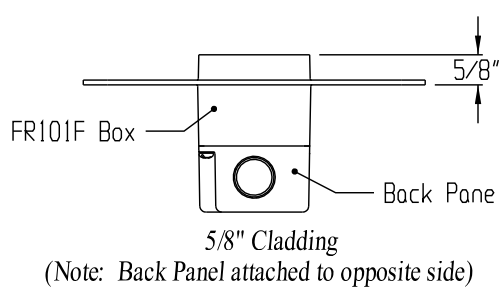


FR101F Reversible Device Box

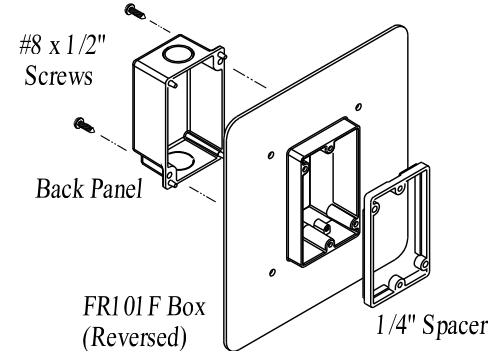
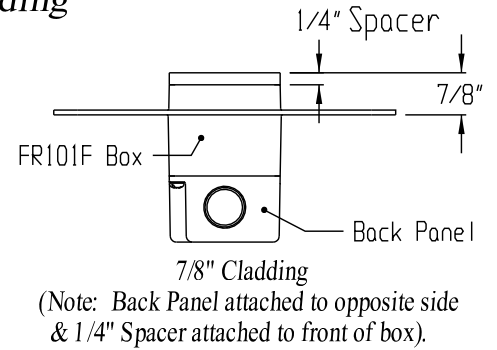
Accommodates 5/8", 7/8" & 1-3/8" Cladding






Note: FR101F is Pre-Assembled For 1-3/8" Cladding



For 5/8" Cladding



For 7/8" Cladding

- 
 (4) #8 X 1/2" Long Sheet Metal Screws
- 
 (1) NM94 Connector
- 
 (1) NM900 Plug

If you have any questions or if parts are missing from your FR101F, Please call our Customer Service Department at 1-800-233-4717. Do not call or return this product to your local store or distributor.

Installation Instructions:

1. Determine cladding thickness. FR101F Box is pre-assembled for 1-3/8" cladding. If 5/8" or 7/8" cladding is to be used, disassemble back panel and attach it to the opposite side of box. This provides for 5/8" cladding. For 7/8" cladding, also attach 1/4" Spacer to front of box. (See illustration).
2. Install NM94 Connector in opening to be used in Box.
3. Install NM900 Plug in the other opening (if needed).
4. Cut a 2-7/16" x 3-7/8" hole in desired location (Template on reverse side of this sheet).
5. Install wire through NM94 Connector.
6. Install Box to substrate (Screws not provided).
7. Apply self-adhesive flashing tape (not provided) to seal the bottom, left & right sides, then the top of FR101F flange.

Wire installation per NEC, State and Local Codes.

The manufacturer warrants this product for material and workmanship only, and shall not be liable for any special incidents or consequential damages or for damages or loss caused by improper use or installation.

