

Arlington Industries, Inc.

1 Stauffer Ind. Park - Scranton, Pa. 18517

800-233-4717 Fax : 570-562-0646

www.aifittings.com - E-MAIL : sales @ aifittings.com

Manufacturers of Quality Electrical Products

**WARNING: TURN OFF POWER AT
MAIN PANEL BOX**



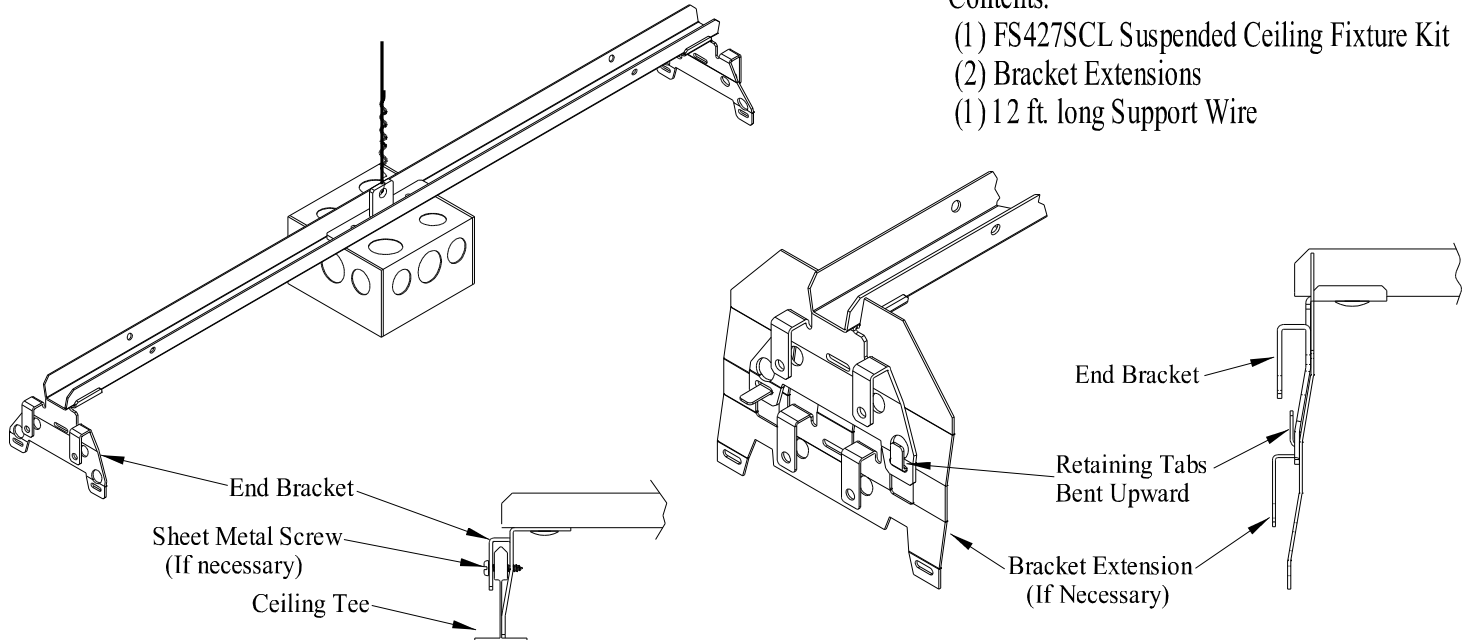
Installation Instructions For : FS427SCL Suspended Ceiling Kit

Contents:

(1) FS427SCL Suspended Ceiling Fixture Kit

(2) Bracket Extensions

(1) 12 ft. long Support Wire



1. At desired location in ceiling tile, cut a 4-1/16" x 4-1/16" Hole.
2. FS427SCL is assembled at factory to be installed on center of a 24" ceiling tile. Fixture Box can be adjusted for desired installation by loosening screws and by sliding box into position.
3. Place box over hole and place the ends of support bar over the ceiling grid (tees). If additional box volume is needed, a standard 4x4x1-1/2" box extension (not included) can be attached to the Fixture Box. If a box extension is used, the included Bracket Extensions should be attached to the End Brackets. The Bracket Extensions are held in place by inserting the Retaining Tabs of the Bracket Extension thru the End Bracket, and Bending the tabs upward.
For installations where the ceiling tiles drop below the tees, it may be necessary to reduce the height of the End Brackets or Bracket Extensions by removing the break-away tabs. The tabs can be broken off using a pliers in a back-and-forth motion. This will extend the box 1/4" further into the ceiling tile.
4. Attach supplied support wire twice around a solid anchor point above ceiling, wrapping wire around itself a minimum of six times. Pull wire taut to remove any bends and wrap wire twice through hole in center support of Fixture Box (wrap wire around itself a minimum of six times).
5. Tighten all screws in case of movement during shipping.
6. Install fixture as per manufacturer's instructions, NEC and all local codes.

WARNING: Make sure power is OFF at main panel box before installing.

If you have any questions or if parts are missing from your Suspended Ceiling Kit, Please call our Customer Service Department at 1-800-233-4717. Do not call or return this product to your local store or distributor.