

**Arlington Industries, Inc.**

1 Stauffer Ind. Park - Scranton, Pa. 18517

800-233-4717 570-562-0646

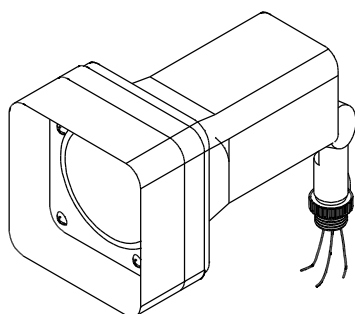
www.aifittings.com - E-MAIL : sales @ aifittings.com

Manufacturers of Quality Electrical Products

**WARNING: TURN OFF POWER AT  
MAIN PANEL BOX**

**GFCI Breaker is recommended**

## Installation Instructions For : PAR LIGHT (GPI75)



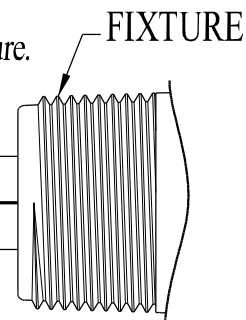
- For Wet Location Lighting - Arlington Industries Inc. GARD-N-POST™ Series is recommended.
- Fixture may also be installed under overhang on wall of structure with proper box and cover plate.
- Fixture may be adjusted by loosening swivel screw and turning 1/2" NPS threaded end. When fixture is adjusted to desired position retighten swivel screw and locknut.
- Lamp with Max. 75 Watt PAR 16, , 60 Watt PAR 20 or R Type Lamp with 75 Watt Max. Lamp to be 120 Volt. (Not Included).
- Wire Fixture as per National Electrical Code and Local Codes. When installing fixture to GP series, connect supply, fixture and G.P.'s ground wire together.

**WARNING:** Make sure power is OFF at main panel box before installing or maintaining fixture.  
Base of Fixture Must Be Installed Down.

1. Connect the white fixture lead to the white supply lead.
2. Connect the black fixture lead to the black supply lead.
3. Connect the copper ground wire to the supply ground.

FROM  
POWER  
SUPPLY

WHITE ⚡ WHITE  
BLACK ⚡ BLACK  
GROUND ⚡ GROUND



If you have any questions or if parts are missing from your PAR Light, Please call our Customer Service Department at 1-800-233-4717. Do not call or return this product to your local store or distributor.