

Arlington Industries, Inc.

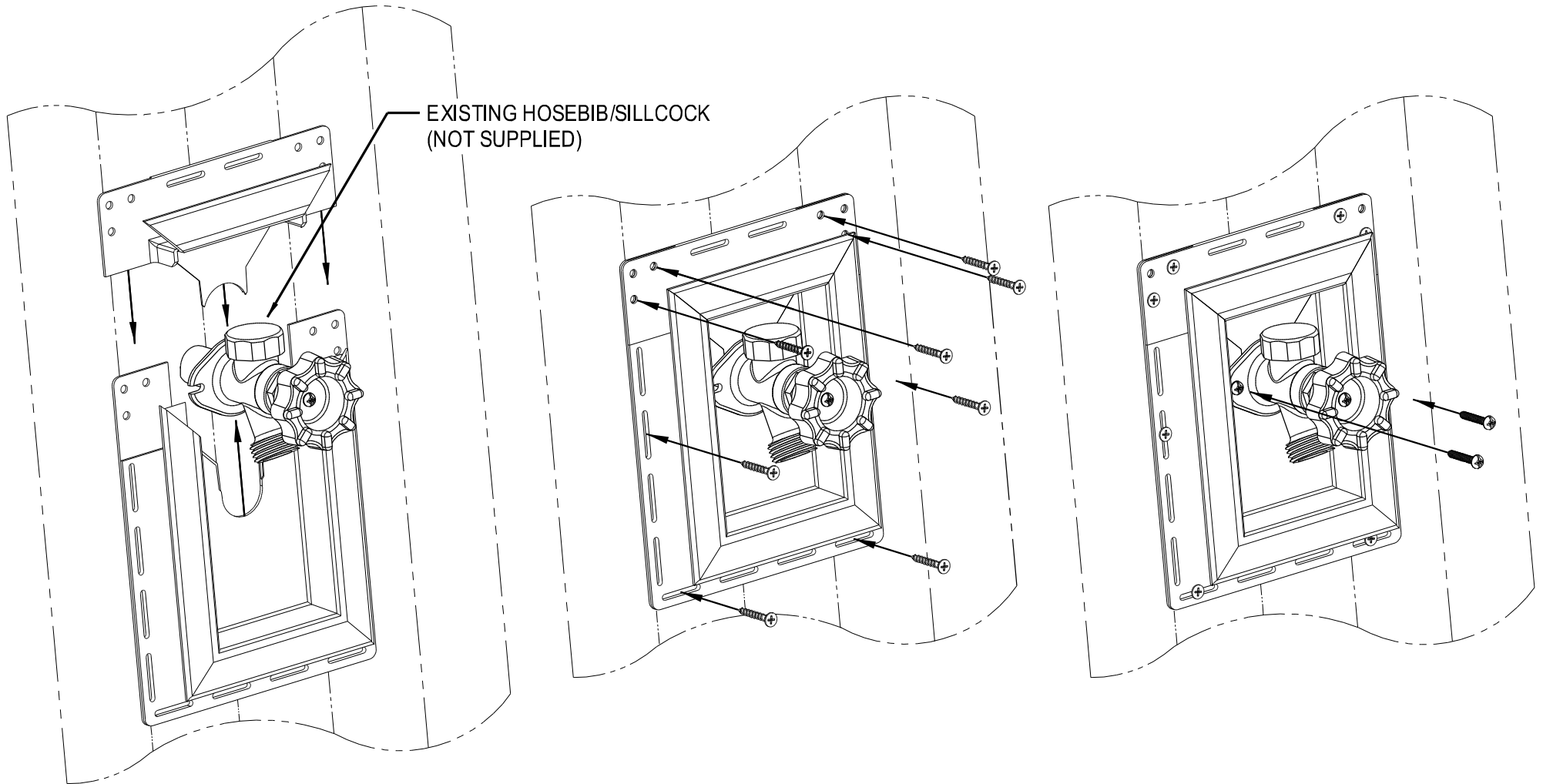
1 Stauffer Ind. Park - Scranton, Pa. 18517

800-233-4717 570-562-0646

www.aifittings.com - E-MAIL : sales @ aifittings.com

Manufacturers of Quality Electrical Products

Installation Instructions For : HB1 Hose Bib Trim Kit



1. REMOVE SCREWS SECURING HOSE BIB/SILLCOCK TO SHEATHING AND SLIDE HB1 TOP AND BOTTOM SECTIONS BEHIND HOSE BIB/SILLCOCK FLANGE.

2. SECURE HB1 TO SHEATHING AS SHOWN W / (8) #6 MINIMUM SCREWS (NOT SUPPLIED).

3. INSTALL SCREWS (NOT SUPPLIED) TO SECURE HOSE BIB/SILLCOCK. CAULK AS REQUIRED.

If you have any questions or if parts are missing from your HB1 trim kit, Please call our Customer Service Department at 1-800-233-4717. Do not call or return this product to your local store or distributor. The manufacturer warrants this product for material and workmanship only, and shall not be liable for any special incident or consequential damages or for damages or loss caused by improper use or installation.