



# Arlington Industries, Inc.

1 Stauffer Ind. Park, Scranton, PA 18517  
Phone: 800-233-4717 Fax: 570-562-0646  
www.aifittings.com E-mail: sales@aifittings.com

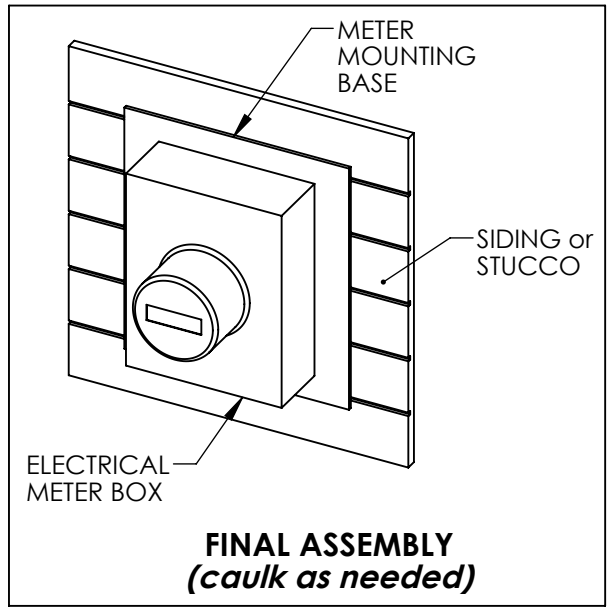
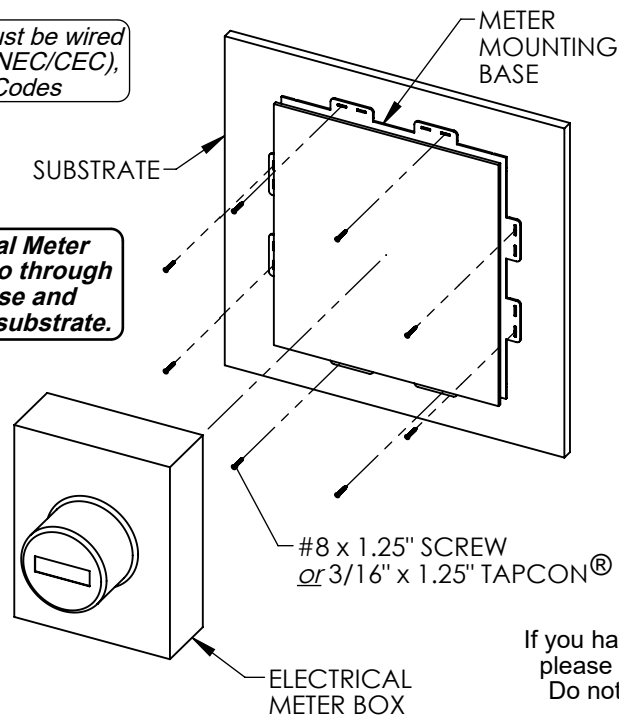
## METER MOUNTING BASE (Paintable, Gangable and UV Rated)

**WARNING: SERVICE POWER MUST BE TURNED OFF**

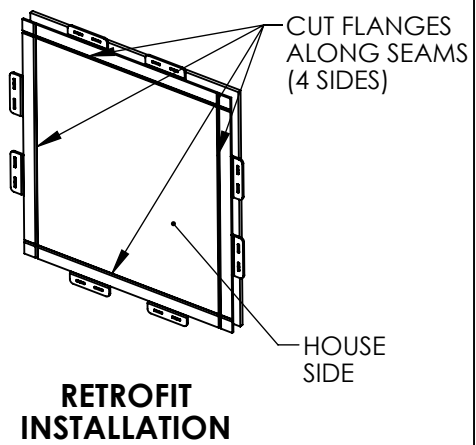
Electrical Meter Box must be wired according to National (NEC/CEC), State and Local Codes

**WARNING: Electrical Meter Box fasteners must go through Meter Mounting Base and anchor securely into substrate.**

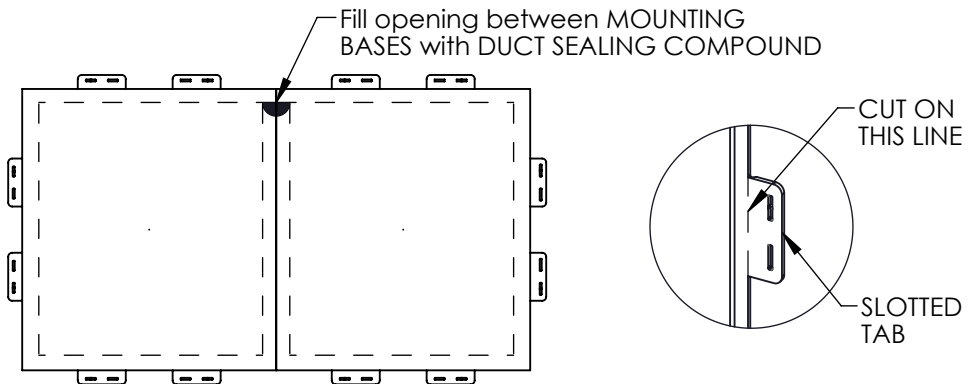
Arlington Cat. #  
-MM10  
-MM18  
-MM23



If you have any questions regarding the METER MOUNTING BASE, please call our Customer Service Department at 1-800-233-4717. Do not call or return this product to your local store or distributor.



### RETROFIT INSTALLATION



When ganging multiple METER MOUNTING BASES, remove overlapping SLOTTED TABS and seal joint with ARLINGTON DUCT SEALING COMPOUND (Cat. # DSC1)

## Installation Instructions

Tapcon® is a registered trademark of ITW Buildex.

### For NEW Construction with SIDING

- Attach METER MOUNTING BASE to SUBSTRATE with #8 x 1.25" screws through slots.
- Place siding into U-channels on METER MOUNTING BASE, covering SCREWS and SLOTTED TABS.
- Attach ELECTRICAL METER BOX to METER MOUNTING BASE as per manufacturer's instructions (Note: fasteners must pass through METER MOUNTING BASE into SUBSTRATE.)
- Caulk as required.

### For NEW Construction with CONCRETE/MASONRY

- Attach METER MOUNTING BASE to CONCRETE/MASONRY with 3/16" x 1.25" Tapcon® or equivalent wall anchors.
- Stucco over SCREWS and SLOTTED TABS.
- Attach ELECTRICAL METER BOX to METER MOUNTING BASE as per manufacturer's instructions (Note: fasteners must pass through METER MOUNTING BASE into CONCRETE/MASONRY).
- Caulk as required.

### For RETROFIT Installation

- Remove FLANGES (4 places) on HOUSE SIDE of METER MOUNTING BASE.
- Measure or trace METER MOUNTING BASE on SIDING and make cutout.
- Place METER MOUNTING BASE into cutout and place ELECTRICAL METER BOX on it and attach as per manufacturer's instructions (Note: fasteners must pass through METER MOUNTING BASE into SUBSTRATE).
- Caulk as required.

The manufacturer warrants this product for material and workmanship only, and shall not be liable for any special, incidental, or consequential damages or for damages or loss caused by improper use or installation.