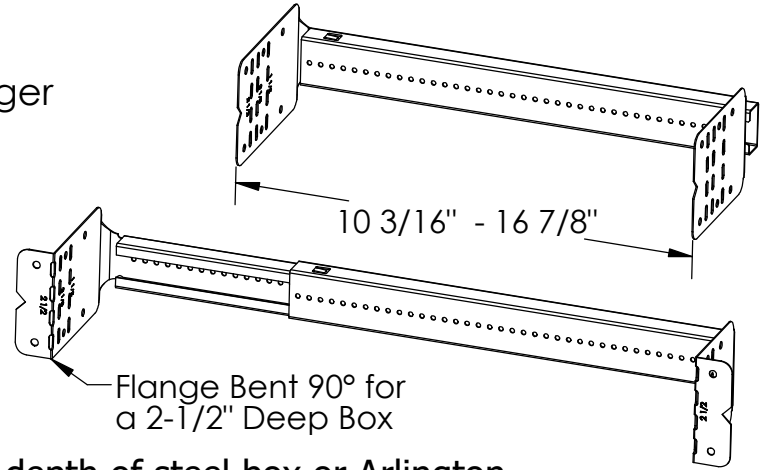


## SL18 SLIDERBAR™ Adjustable Bar Hanger

Works with Studs 12" to 18" on-center

Can also be used with  
Arlington CAT# SLB101 &  
SLB102 non-metallic boxes



### Installation Instructions

1. Bend SL18 flanges to correspond with the depth of steel box or Arlington SLB101/SLB102 non-metallic boxes. Flanges can be bent 90° or bent back 180° if needed for an inside mount installation. Flanges have bend slots for 1-1/2", 2-1/8" & 2-1/2" box depths.
2. Attach Bar Hanger to studs with screws or nails (not provided)
3. Attach Electrical Box to the SL18 using (2) #8 x 1/2" long screws (not provided) using pilot holes.
4. Pull cables and install wiring devices according to all local, state, & national codes.

If you have any questions or if parts are missing, Please call our Customer Service Dept.  
at 1-800-233-4717. Do not call or return this product to your local store or distributor.