



**Arlington Industries, Inc.**

1 Stauffer Ind. Park - Scranton, Pa. 18517  
 800-233-4717 Fax: 570-562-0646  
 www.aifittings.com - E-MAIL : sales@aifittings.com  
 Manufacturers of Quality Electrical Products

**WARNING: TURN OFF POWER AT  
 MAIN PANEL BOX**

**TVB613  
 TVB613GC (w/ Ground Clip for Canada)**

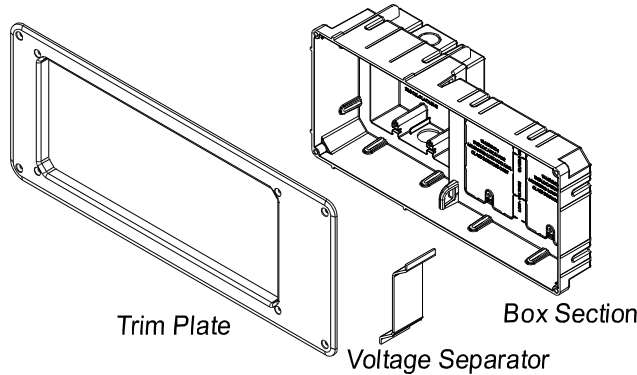


**Installation Instructions For :**


**TVB613 / TVB613GC TV BOX For Flat Screen Televisions  
 For New and Existing Construction**

**Contents:**

- (1) Box Section
- (1) Trim Plate
- (1) Voltage Separator
- (4) #8 x 3/4" Long Screws
- (4) #8 x 1-1/2" Long Screws
- (1) NM Cable Connector



 (4) #8-32 X 3/4" Long Screw

 (4) #8 X 1-1/2" Long Screw



NM Cable Connector

If you have any questions or if parts are missing from your TVB613 TV Box For Flat Screen TV Kit, Please call our Customer Service Department at 1-800-233-4717. Do not call or return this product to your local store or distributor.

**Installation Instructions:**

**For NEW Construction:** Mount Box Section to Stud Horizontally (Can Also be Mounted Vertically) using a Minimum of (2) #6 x 1-5/8" Long Wood Screws (Not Included) Through Slotted Holes In Wall of Box. Allow for Wall Finish Thickness - such as Dry Wall.

- Install NM Cable Connector.
- Install Power and Low Voltage Cables.
- Install Voltage Separator, if Using Low Voltage in 2 Gang Box.
- Install Power and Low Voltage Wiring Devices.
- After Installation of Dry Wall (or other Wall Finish) Install Trim Plate using (4) #8 x 3/4" Long Screws, Securing Trim Plate to Box, and (4) #8 x 1-1/2" Long Wood Screws, Securing Trim Plate to Wall.

**For EXISTING Construction:** Cut 6" x 13-1/4" Hole Next to Stud.

- Attach Trim Plate to Box Section, Using (4) #8 x 3/4" Screws.
- Install NM Cable Connector.
- Install Power and Low Voltage Cables.
- Mount Box Horizontally between (2) 16" Centered Studs Using (4) Holes in Trim Plate, Secure to Studs with (4) #8 x 1-1/2" Long Screws. Or Box can be Mounted Vertically By Using a Minimum of (2) #6 x 1-5/8" Long Screws (Not Included) through Slotted Holes in Wall of Box to Secure to Stud.
- Install Voltage Separator, if Using Low Voltage in 2 Gang Box.
- Install Power and Low Voltage Wiring Devices.
- Complete Wiring Connections to All Power and Low Voltage Devices.

**WARNING:** Make sure power is OFF at main panel box before installing.

**NOTE:** All Wiring Must be According to NEC, State and Local Codes.

The manufacturer and distributor warrant this product for material and workmanship only, and shall not be liable for any special incident or consequential damages or for damages or loss caused by improper use or installation.