



Arlington Industries, Inc. STEEL TV BOX for Flat Screen TVs, for New and Existing Construction

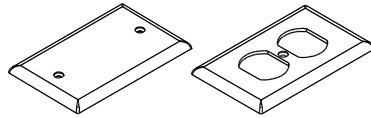


1 Stauffer Ind. Park, Scranton, PA 18517
800-233-4717 Fax: 570-562-0646
www.aifittings.com E-mail: sales@aifittings.com
Manufacturers of Quality Electrical Products

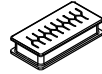
WARNING: TURN OFF POWER AT MAIN PANEL BOX

CONTENTS:

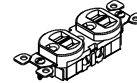
- (1) TVBS810 Box
- (1) TVBU810 Frame
- (1) CED130 Insert
- (1) 15 Amp Duplex Receptacle
- (1) Duplex Cover Plate w/ Screw
- (4) #8-32 x 1/2" Long Screws
- (1) NM94 Cable Connector
- (1) NM900 Plug
- (3) Blank Cover Plates
- (6) #6-32 x 1/2" Screws (For Blank Cover Plates)



Cover Plates



CED130 Insert



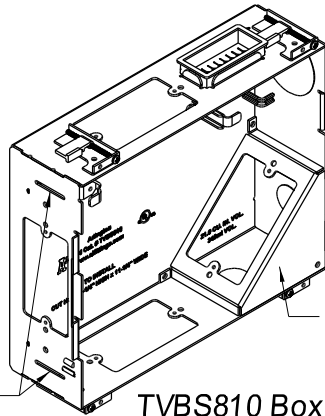
Duplex Receptacle



NM94



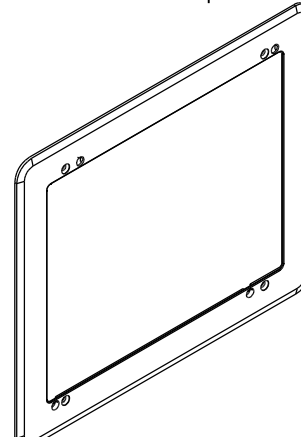
NM900



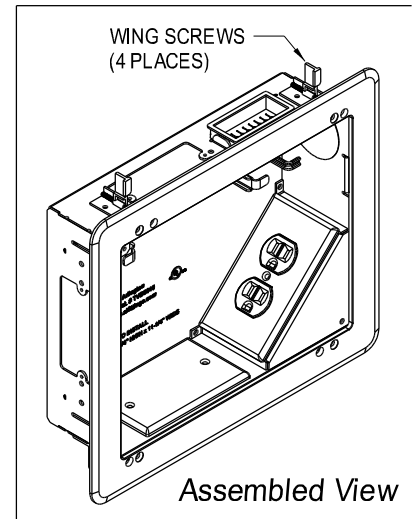
MOUNTING SLOTS

TVBS810 Box

RECEPT. MOUNTING BRACKET



TVBU810 Frame



WING SCREWS (4 PLACES)

Assembled View

If you have any questions or if parts are missing from your TVBS810 TV Box For Flat Screen TV Kit, Please call our Customer Service Department at 1-800-233-4717. Do not call or return this product to your local store or distributor.

Installation Instructions

For NEW Construction:

- Turn OFF power at MAIN PANEL BOX.
- Remove (1) 7/8" diameter (1/2" trade size) knockout from TVBS810 BOX for cable.
- Secure to stud using a minimum of (2) #6 x 1-5/8" long wood screws (not included) through (2) SLOTTED HOLES in wall of TVBS810 BOX (allow for wall finish thickness, such as sheet rock).
- Install NM94 CABLE CONNECTOR in TVBS810 BOX and pull cable through NM94 CONNECTOR.
- Pull low-voltage cable (optional) through CED130 or other openings and mount low-voltage device(s) as needed.
- After installation of sheet rock (or other wall finish) install TVBU810 FRAME to TVBS810 BOX using (4) #8-1/2" long screws (provided) and secure TVBS810 BOX to wall by tightening (4) WING SCREWS.
- Complete wiring connections as per all applicable National (NEC/CEC), State and Local codes and attach electrical receptacle (provided with screws) to RECEPTACLE MOUNTING BRACKET.
- Complete installation by attaching COVER PLATES (provided)

For EXISTING Construction:

- Turn OFF power at MAIN PANEL BOX.
- CAUTION: Before cutting hole, locate the position of framing members and other possible obstructions.
- Cut 11-1/4" (wide) x 9-1/4" (high) hole.
- Remove (1) 7/8" diameter (1/2" trade size) knockout from TVBS810 BOX.
- Attach TVBU810 FRAME to TVBS810 BOX using (4) #8 x 1/2" long screws (provided).
- Install NM94 CABLE CONNECTOR in TVBS810 BOX and pull cable through NM94 Connector.
- Pull low-voltage cable (optional) through CED130 or other openings, and mount low-voltage device(s) as needed.
- Place assembled TVBS810 BOX into wall cutout and tighten (4) WING SCREWS.
- Complete wiring connections as per all applicable National (NEC/CEC), State and Local codes and attach electrical receptacle (provided with screws) to RECEPTACLE MOUNTING BRACKET.
- Complete installation by attaching COVER PLATES (provided).

WARNING: Make sure power is OFF at main panel box before installing.

NOTE: All Wiring Must be According to NEC, State and Local Codes.

The manufacturer warrants this product for material and workmanship only, and shall not be liable for any special, incidental, or consequential damages or for damages or loss caused by improper use or installation.