



TVBU810

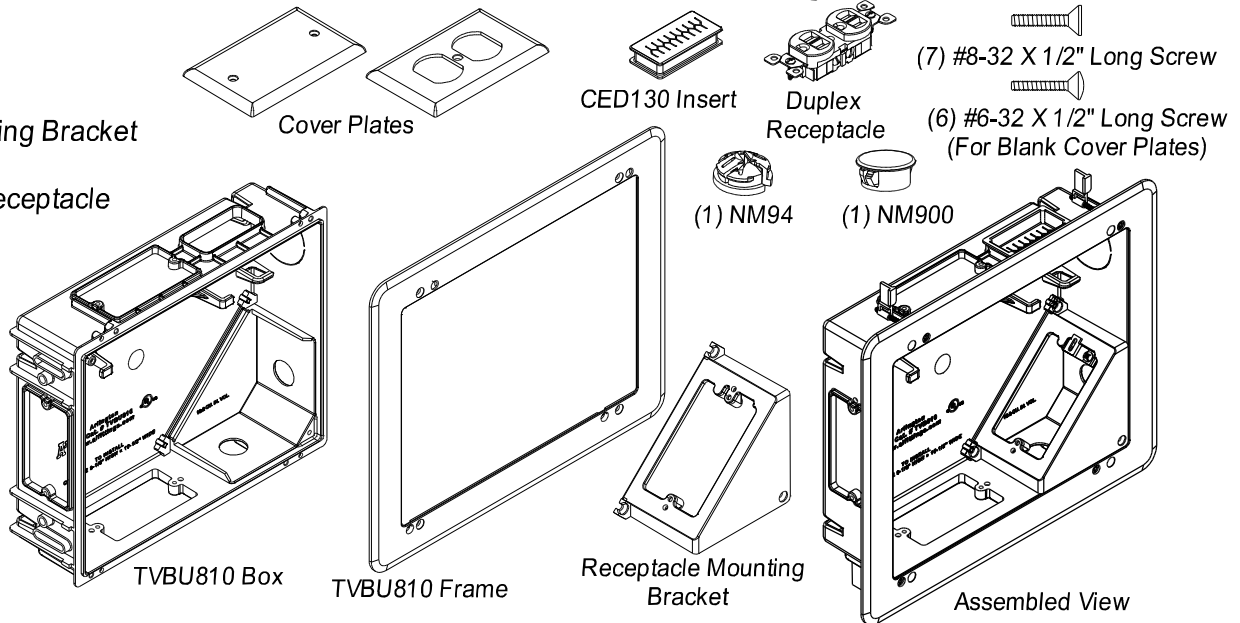
TVBU810GC (Includes Ground Clip)



**TV BOX - For Flat Screen TVs, For New and Existing Construction**

**Contents:**

- (1) TVBU810 Box
- (1) TVBU810 Frame
- (1) Receptacle Mounting Bracket
- (1) CED130 Insert
- (1) 15 Amp Duplex Receptacle
- (1) Duplex Cover Plate w/ Screw
- (7) #8-32 x 1/2" Long Screws
- (1) NM94 Cable Connector
- (1) NM900
- (3) Blank Cover Plates
- (6) #6-32 x 1/2" Screws (For Blank Cover Plates)



If you have any questions or if parts are missing from your TVBU810 TV Box For Flat Screen TV Kit, Please call our Customer Service Department at 1-800-233-4717. Do not call or return this product to your local store or distributor.

**Installation Instructions:**

**For NEW Construction:**

- Secure to stud using a minimum of (2) #6 x 1-5/8" long wood screws (not included) through slotted holes in wall of TVBU810 Box. Allow for wall finish thickness, such as dry wall.
- Install NM94 Cable Connector in TVBU810 Box and pull cable through NM94 Connector.
- Install NM900 in TVBU810 Box, to seal unused 1/2" trade size opening.
- If desired, pull low-voltage cable through CED130 or other openings, and mount low-voltage devices as needed.
- After installation of dry wall (or other wall finish) install TVBU810 Frame to TVBU810 Box using (4) #8-3/4" long screws (provided) and secure TVBU810 to wall by using four wing screws.
- Complete wiring connections and attach electrical receptacle (provided) to Receptacle Mounting Bracket.
- Attach Receptacle Mounting Bracket to TVBU810 Box using (3) #8 x 1/2" long screws (provided).
- Complete installation by attaching cover plates (provided) to outlet device.

**For EXISTING Construction:**

- Caution: Before cutting hole, locate the position of framing members and other possible obstructions.
- Cut 11-1/4" x 9-1/4" hole avoiding framing members. (can be mounted either horizontally or vertically). TVBU810 Box can be used as a template if desired.
- Attach TVBU810 Frame to TVBU810 Box using (4) #8 x 3/4" long screws (provided).
- Install NM94 Cable Connector in TVBU810 Box and pull cable through NM94 Connector.
- Install NM900 in TVBU810 Box, to seal unused 1/2" trade size opening.
- If desired, pull low-voltage cable through CED130 or other openings, and mount low-voltage devices as needed.
- Mount assembled TVBU810 Box to wall using four wing screws.
- Complete wiring connections and attach electrical receptacle (provided) to Receptacle Mounting Bracket.
- Attach Receptacle Mounting Bracket to TVBU810 Box using (3) #8 x 1/2" long screws (provided).
- Complete installation by attaching cover plates (provided) to outlet device.

WARNING: Make sure power is OFF at main panel box before installing.

NOTE: All Wiring Must be According to NEC, State and Local Codes.

The manufacturer warrants this product for material and workmanship only, and shall not be liable for any special incident or consequential damages or for damages or loss caused by improper use or installation.