



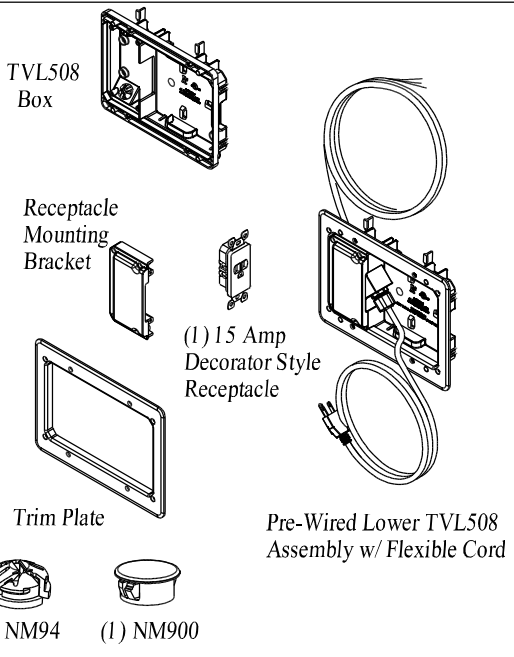
**Arlington Industries, Inc.**  
 1 Stauffer Ind. Park - Scranton, Pa. 18517  
 800-233-4717 Fax: 570-562-0646  
 www.aifittings.com - E-MAIL: sales@aifittings.com  
 Manufacturers of Quality Electrical Products

**TVL2508K**  
**TVL2508KGC (includes Ground Clip)**  
**Low Profile TV Box™ Kit for Flat Screen Televisions**



**Contents:**

- (1) TVL508 Boxes
- (1) Receptacle Mounting Brackets
- (1) Trim Plate
- (1) 15 Amp Decorator Style Receptacle
- (2) #6-32 x 5/8" Long Screws
- (8) #8-32 x 5/8" Long Screws
- (4) #6 x 1-5/8" Long Wood Screws
- (1) NM94 Cable Connector
- (1) NM900
- (1) Pre-Wired Lower Box Assembly w/ Flexible Cord

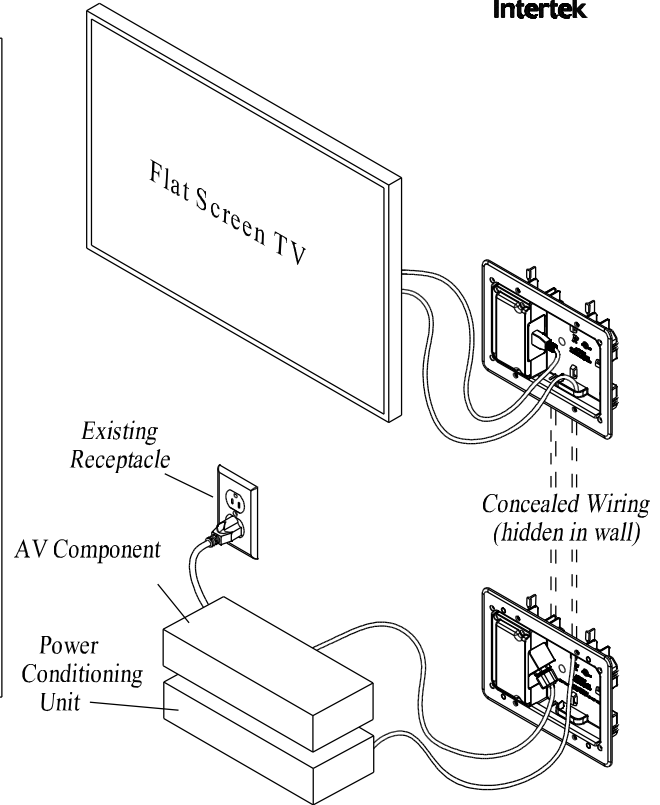


(2) #6-32 x 5/8" Lg. Screws

(8) #8-32 x 5/8" Lg. Screws

(4) #6 x 1-5/8" Long Wood Screws

(1) NM94 (1) NM900



**Important Notes:**

- Installation must be in accordance with National Electric Code.
  - This product is not designed to be an extension of a structure's hard wiring.
  - Arlington recommends using a qualified electrician to install line-voltage wiring & devices.
  - NOTE: Components are not energized until the flexible cord is plugged into an existing wall receptacle.
- Follow all instructions: **DO NOT PLUG IN FLEXIBLE CORD UNTIL ALL OTHER WIRING IS COMPLETE.**

**Installation Instructions:**

1. Locate position of Flat Panel television and install television mounting bracket per bracket manufacturer's instructions.
2. Locate upper TVL508 box behind television installation so as not to interfere with mounting bracket. Determine location of wall studs and adjust position of TVL508 away from studs or other obstructions inside the wall.
3. Locate position of lower TVL508 in same stud bay as upper box location. Locate lower box ensuring supplied cord will reach an existing receptacle or power conditioning unit (optional) to power the installation.
4. Make cut-out in wall at upper & lower box locations. Cut-Out Dimensions: 9-1/8" wide x 6-7/8" high
5. Fish pre-wired 14/2 NM cable from lower box cut-out behind wall to upper box location. Low-voltage, coaxial, speaker wires etc. may also be pulled at this time before the TVL508 boxes are installed in the wall.
6. Install lower box/flexible cord assembly into lower location by tightening four wing screws.
7. Strip approx. 6 inches of sheathing from 14/2 NM Cable and strip 1/2" of insulation from conductors on end of 14/2 NM Cable.
8. Install NM94 Cable Connector in upper TVL508 box and pull NM Cable through NM94 Connector. Install NM900 in unused knock out in box.
9. Attach Trim Plate to upper TVL508 boxes using (4) #8 x 5/8" long screws (provided).
10. Install upper TVL508 box into upper hole in wall, and secure box to wall by tightening (4) Flag screws on box. (Box can also be attached directly to stud / furring strip using a minimum of (2) #6 x 1-5/8" long wood screws (provided).
11. Attach electrical receptacle (provided) to Receptacle Mounting Bracket using (2) #6 x 5/8" long screws (provided) and complete wiring connections. Attach Receptacle Mounting Bracket to upper TVL508 box using (4) #8 x 5/8" long screws (provided).
12. Install flat panel television to mounting bracket in accordance with manufacturer's instructions and connect TV power cable to installed receptacle in upper TVL508 box. Make necessary low-voltage connections.
13. Energize TVL2508K by plugging the installed flexible cord into an existing receptacle or power conditioning unit.

NOTE: All wiring must be according to NEC, State and Local Codes. The manufacturer warrants this product for material and workmanship only, and shall not be liable for any special incident or consequential damages or for damages or loss caused by improper use or installation.

***If you have any questions or if parts are missing, please call our Customer Service Department at 1-800-233-4717. Do not call or return this product to your local store or distributor.***