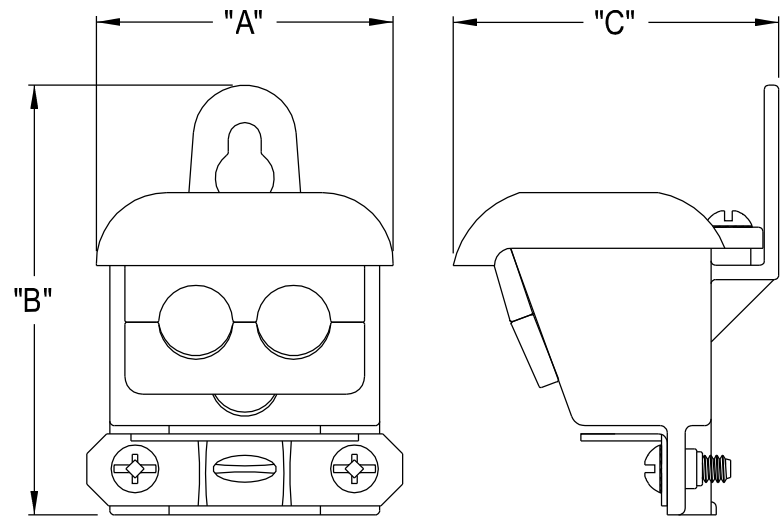


662



660

662	1/0 TO 4/0	3.156	4.500	3.572
660	7/8" DIA. MAX.	2.062	2.985	2.262
PART NO.	SIZE	"A"	"B"	"C"