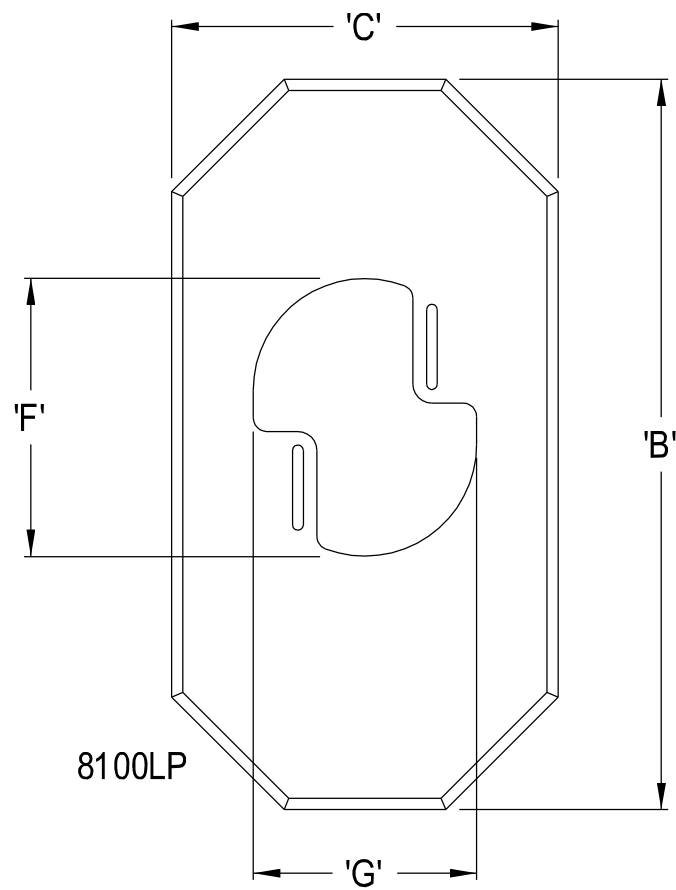


8091FDBL



8100LP

8100LP	.725	13.490	7.142	-----	-----	5.126	4.126
8091FDBLC	.780	13.490	7.142	2.750	3.550	-----	-----
PART	'A'	'B'	'C'	'D'	'E'	'F'	'G'