

**NEW!**  
more on  
reverse

# Dryer Vent Mounting Block Kit

● For New Construction • All Siding Types



Arlington's one-piece, non-metallic dryer vent mounting block kit provides the secure, attractive – and time-saving way to install dryer vents on new siding.

Our 8 x 8 inch dryer vent mounting block kit comes complete with a low profile, louver-type hood, a snap-together 4" aluminum tube and a siding block with a built-in j-channel. It fits all siding types: 1/2" and 5/8" step, and dutch lap.

UV rated, and weather-resistant for long outdoor life, they are also paintable to match any color scheme.

- Clean, attractive installation – overhang covers cut ends of siding
- Smooth vertical mounting of dryer vents any siding type
- For new siding construction
- Easy installation
- Colors: Paintable White
- Pre-mounted vent: 4" x 10-1/2" tube dimension

Catalog Number	UPC/DEI/NAED Mfg. #018997	Description	Siding Type	Unit Pkg	Std Pkg
DV1	43607	Dryer Vent Mounting Block 8" x 8" vented plastic block Mounts before siding	All	1	10

Patent pending

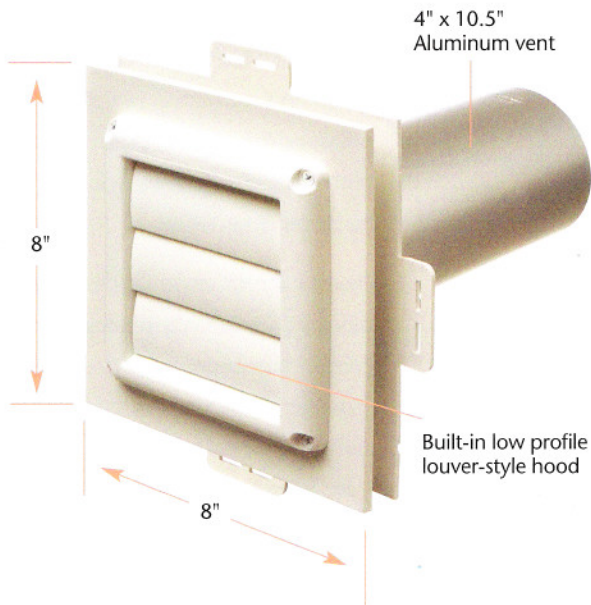
**Arlington**

1 Stauffer Industrial Park  
Scranton, PA 18517  
**800/233.4717**  
**Fax 570/562.0646**  
[www.aifittings.com](http://www.aifittings.com)

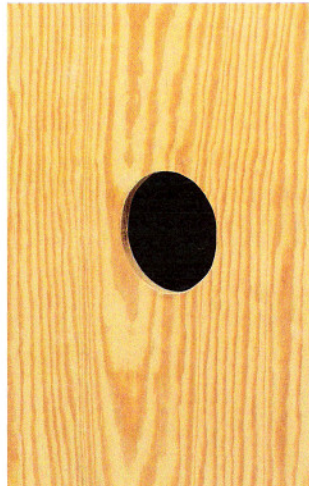


# Dryer Vent Mounting Block Kit

*The neat way to install a dryer vent on siding*



Installation BEFORE siding



1 Cut hole in substrate with a 4-1/2" hole saw.



2 Insert vent tube into opening.



3 Use screws to mount dryer vent to substrate through flanges.



4 Install siding. Overhang on vent flange hides cut ends of siding.



5 DV1 Dryer Vent Mounting Block. The finished installation looks great.

# Arlington

1 Stauffer Industrial Park  
Scranton, PA 18517  
800/233.4717  
Fax 570/562.0646  
www.aifittings.com

*Arlington manufactures a complete line of boxes, kits and blocks for siding*

Distributed by

Patented. DVI 1206/30M

