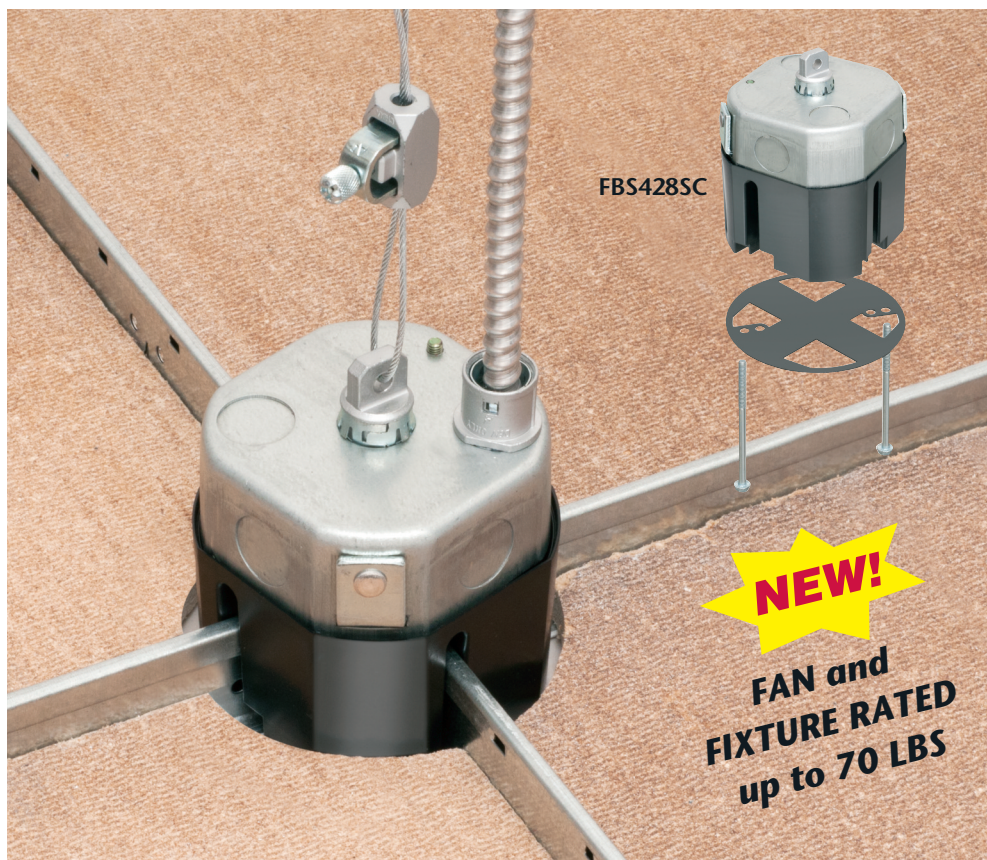


**NEW!**  
more on  
reverse

# STEEL T-Box for Suspended Ceiling Grids

For use with Metal Raceway in Commercial Work • UL Listed



**POSITION BOX on grid at the CROSS or on the STRAIGHTAWAY**



**FBS428SC saves 50%**  
over our FBR5420SC



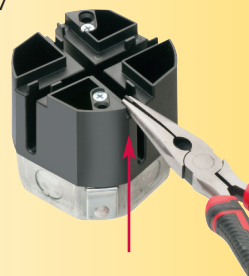
Arlington's economical, UL Listed STEEL T-Box is the cost-effective way to mount a variety of items on a suspended ceiling grid.

You can position T-Box on the ceiling grid at the T-rail cross or on a straightaway, so YOU decide where to position the equipment.

Use T-Box for mounting fans, fixtures, smoke and carbon monoxide detectors, security cameras, exit signs and emergency lighting, up to 70 lbs.

To install, just cut around the ceiling tile and lower the box onto the ceiling grid where it fits securely in place.

For use on premium/reveal edge ceiling tiles, adjust the box height by removing the tabs with pliers. Easy!



- 30.5 cu inch box, with installed NM cable connector
- UL Listed for Fans/Fixtures up to 70 lbs
- Meets 2017 NEC, section 314.27 for fan and fixture boxes

Patents pending

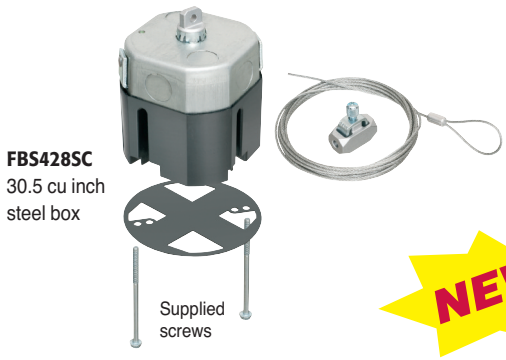


**Arlington®**

1 Stauffer Industrial Park  
Scranton, PA 18517  
800/233.4717 • Fax 570/562.0646  
www.aifittings.com

# STEEL T-Box for Suspended Ceiling Grids

*UL Listed • For use with Metal Raceway*



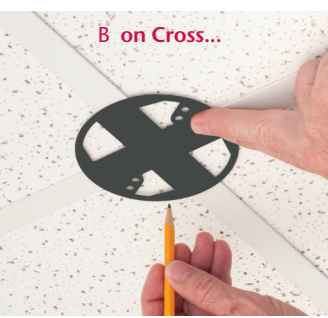
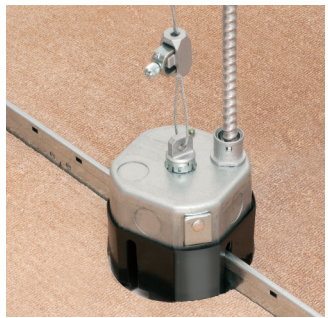
**FBS428SC**  
30.5 cu inch  
steel box

| CATALOG NUMBER | UPC/DCI/NAED MFG. #018997 | DESCRIPTION  | UNIT PKG | STD PKG   |
|----------------|---------------------------|--|----------|-----------|
| FBS428SC       | 12782                     | <b>STEEL T-Box for Fans/Fixtures up to 70 lbs</b><br>Includes Wire Grabber™ with Braided Drop Wire Support Kit,<br>(2) #10-32-32 x 4" screws, grid cover | 1        | 10/carton |



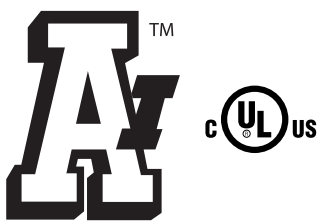
## INSTALLATION INSTRUCTIONS

- 1 Locate position of item to install.  
A = straight on T-bar rail.  
B = Intersection of T-bar rails (cross).
- 2 Cut out around ceiling tile.  
A = for straight.  
B = for cross.
- 3 Drop box onto grid from overhead.  
*Remove tabs as necessary to adjust ceiling tile height.*
- 4 Install fan, fixture (or other item) per manufacturer's instructions.  
NOTE Install fan/fixture bracket with supplied screws.



Reinstall ceiling tiles. Install conduit with connector (not included).  
Install Wire Grabber connector.  
Attach drop wire to structural member.

**FBS428SC**



**Arlington®**

1 Stauffer Industrial Park  
Scranton, PA 18517  
800/233.4717 • Fax 570/562.0646  
www.aifittings.com

Distributed by